



**MANUFACTURED BY:**  
**Backyard Discovery**  
3305 Airport Drive, Pittsburg, KS 66762  
800-856-4445

Basepoint Business Centre: Rivermead Drive, Westlea, Swindon SN5 7EX Phone: 0800-118-2476  
J.P. Coenstraat 7, The Bridge, The Hague, 2595 WP, Netherlands Phone: 0800-567-8990

# 14x10 PERGOLA

## Model # 1802513

The assembly manual must be retained since it contains important information



**Please visit [www.backyarddiscovery.com](http://www.backyarddiscovery.com)**

For the most up to date assembly manual, to register your set, or to order replacement parts  
*Para obtener instrucciones en español, visite [www.backyarddiscovery.com](http://www.backyarddiscovery.com)*



**EASY STEP-BY-STEP**  
**3D INTERACTIVE INSTRUCTIONS**  
DOWNLOAD THE FREE APP



Made in China

INS-1802513-A-14x10 PERGOLA-ENG 5-15-24

# Owner's Manual - Basic Setup Dimensions & Assembly Notes

It is critically important that you start with square and level footings, concrete pad or deck to attach your structure

- Pay close attention to the items needed for each step. Make sure you are using the correct hardware for each step. Using incorrect hardware may result in improper assembly
- Remember to double check for underground utilities and overhead electrical lines

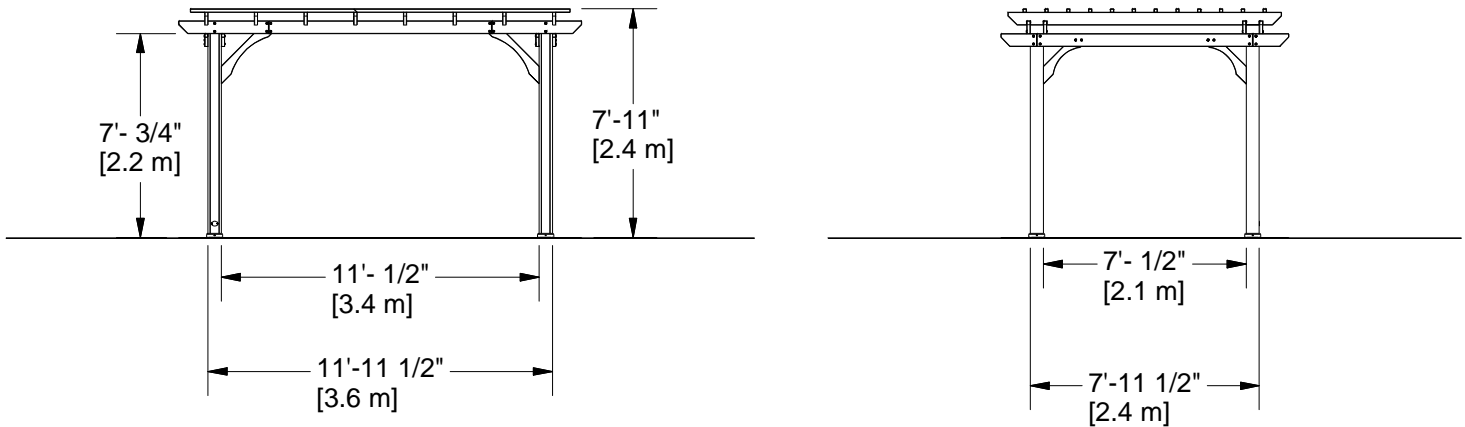
Post mounts are provided with your structure which allows you to permanently install your structure to a pre-existing or new wood or concrete surface.

- The hardware to attach the post mounts to the structure is included.
- The hardware to mount the structure permanently to a concrete surface is included.
- The hardware to mount the structure permanently to a wood deck is NOT included and will need to be purchased separately. **You must ensure there is ample structural support under the deck before permanently attaching.**

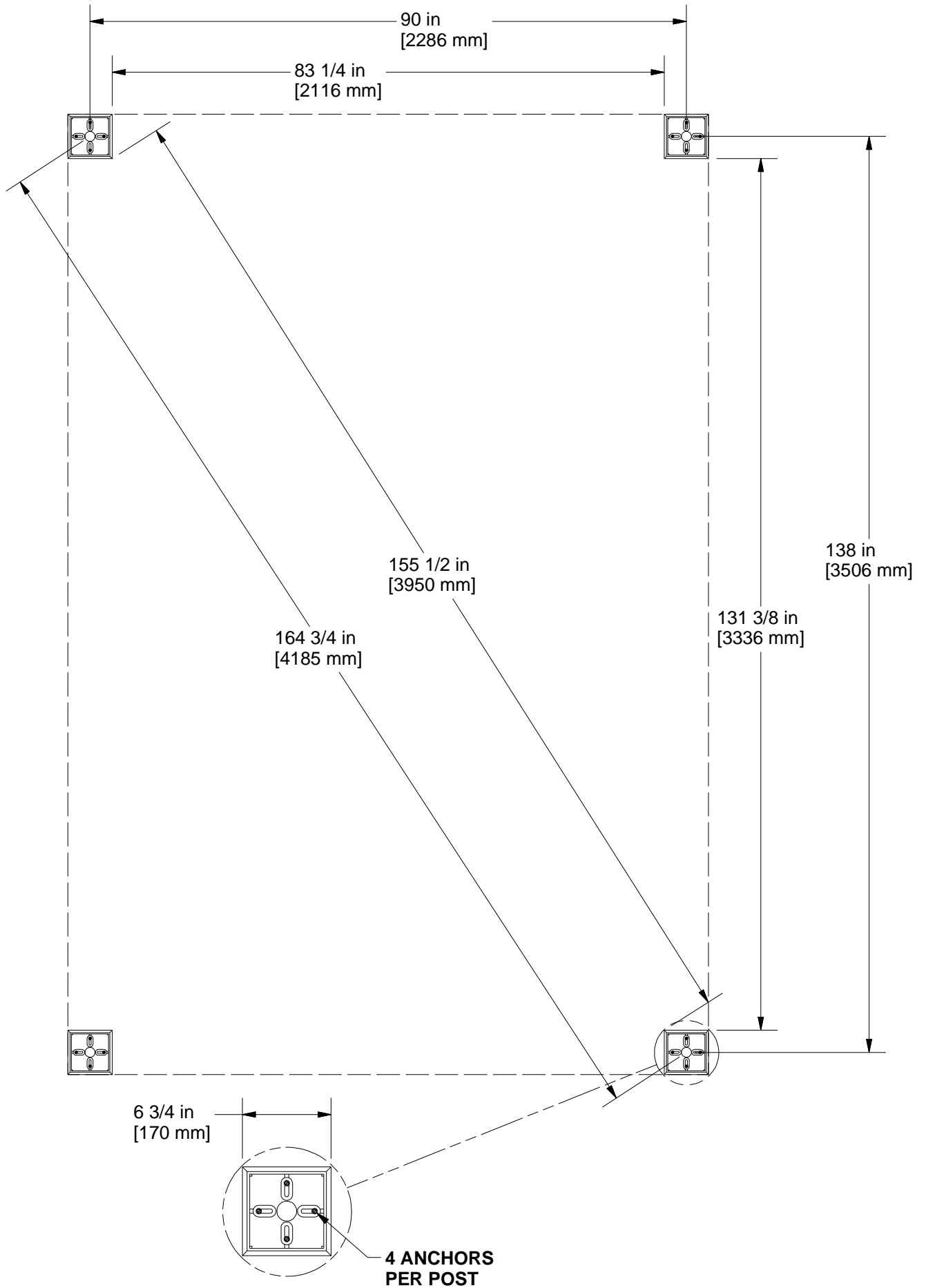
## Metal Roof Assembly

Remove plastic covering from metal roof panels before installing each piece. Place roofing materials on a nonabrasive, flat surface before and after assembly as it could bend, dent or scratch

---



# Owner's Manual - Anchoring Layout



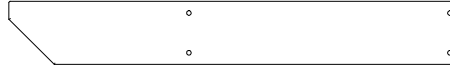
# Owner's Manual - Parts Identification

## Wood Components (Not to Scale)



### D1 JOIST - W4L11635

(x2) 1 3/8"x5 1/4"x92 7/8" (36x134x2360)



### D2 JOIST END - W4L11643

(x4) 1 3/8"x5 1/4"x37 1/2" (36x134x954)



### D3 SLOTTED JOIST - W4L11637

(x8) 1 3/8"x5 1/4"x114" (36x134x2896)



### D4 JOIST - W4L18489

(x2) 1 3/8"x5 1/4"x90" (36x134x2286)



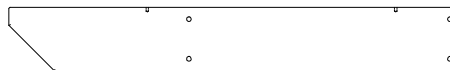
### D5 JOIST - W4L11638

(x2) 1 3/8"x5 1/4"x90" (36x134x2286)



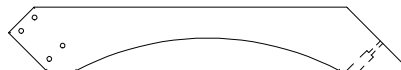
### D6 JOIST END - W4L11633

(x8) 1 3/8"x5 1/4"x15" (36x134x381)



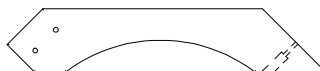
### D7 JOIST END - W4L11634

(x4) 1 3/8"x5 1/4"x37 1/2" (36x134x954)



### D8 LONG ANGLE BRACE - W4L18490

(x8) 1 3/8"x5 1/4"x33 1/2" (36x134x850)



### D9 SHORT ANGLE BRACE - W4L18491

(x4) 1 3/8"x5 1/4"x26 5/8" (36x134x675)

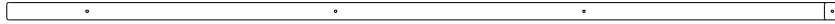
# Owner's Manual - Parts Identification

## Wood Components (Not to Scale)



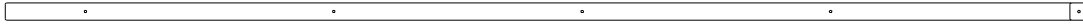
**D11 JOIST - W4L11646**

(x2) 1 3/8"x5 1/4"x92 7/8" (36x134x2360)



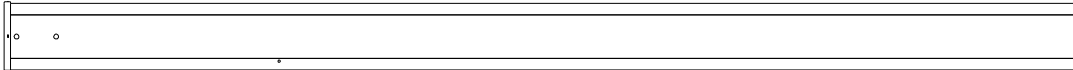
**P1 PURLIN - W4L11639**

(x12) 1 3/8"x1 3/8"x69 5/8" (36x36x1767)



**P2 PURLIN - W4L11640**

(x12) 1 3/8"x1 3/8"x90 1/4" (36x36x2291)



**WP2 PERGOLA POST - W2A03771**

(x2) 5 1/2"x5 1/2"x89 1/2" (140x140x2273)

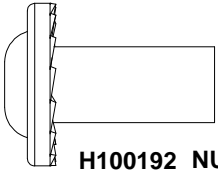


**WP1 PERGOLA POST - W2A03772**

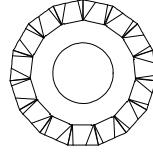
(x2) 5 1/2"x5 1/2"x89 1/2" (140x140x2273)

# Owner's Manual - Parts Identification

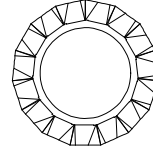
## Hardware Components



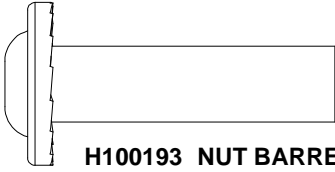
**H100192 NUT BARREL WH  
BLK**  
(x40) 5/16x7/8



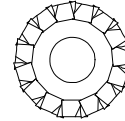
**H100198 WASHER LOCK  
EXT BLK**  
(x80) 8x19



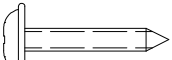
**H100199 WASHER LOCK  
EXT BLK**  
(x64) 12x19



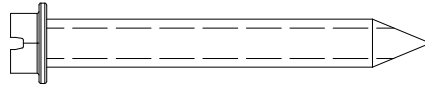
**H100193 NUT BARREL WH  
BLK**  
(x24) 5/16x1-1/2



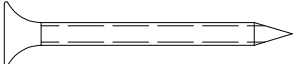
**H100405 WASHER LOCK  
EXT BLK**  
(x12) 6x15



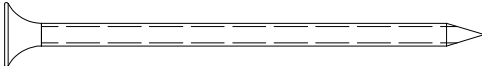
**H100392 SCREW PWH BLK**  
(x2) 8x3/4



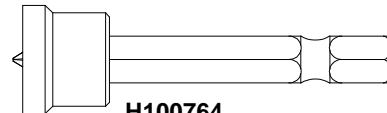
**H100120 SCREW  
CONCRETE  
ANCHOR**  
(x16) 1/4x2



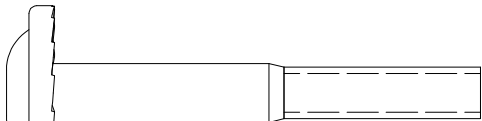
**H100200 SCREW PFH BLK**  
(x16) 8x1 1/2



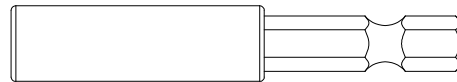
**H100201 SCREW PFH BLK**  
(x96) 8x2-1/2



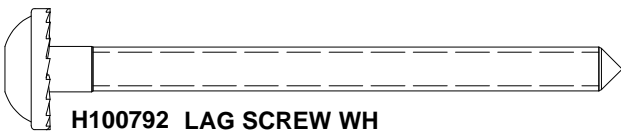
**H100764 SCREW SETTER**  
(x1)



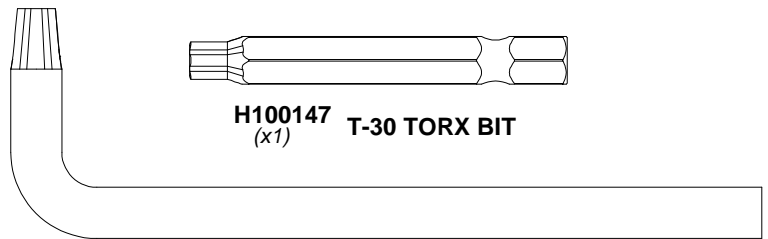
**H100205 BOLT WH BLK**  
(x40) 5/16x2-1/4



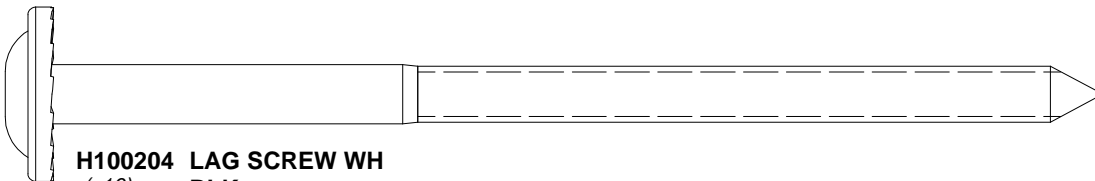
**H101100 MAGNETIC DRIVER**  
(x1)



**H100792 LAG SCREW WH  
BLK**  
(x12) 1/4x3



**H100147 T-30 TORX BIT**  
(x1)



**H100204 LAG SCREW WH  
BLK**  
(x16) 5/16x5 1/2

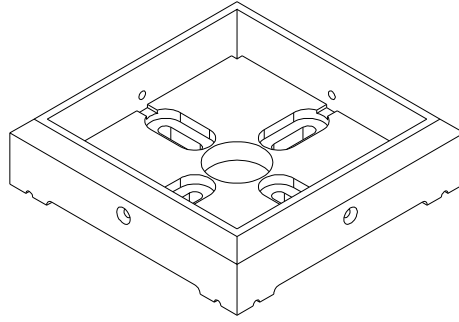
**H100114 T-30 TORX WRENCH**  
(x1)



**H100196 BOLT WH BLK**  
(x24) 5/16x7-1/4

# Owner's Manual - Parts Identification

## Accessory Components (Not to Scale)



**A100029**  
*(x4)* FOOT 142 SQUARE POST



**A100241**  
*(x1)* BYD ID TAG (SMALL) WITHOUT AGES

# PRE-ASSEMBLY STEP 1 - SORTING PARTS

It is critical for ease of assembly that you take the time to sort and organize the wood and hardware.

---

## WOOD PARTS:

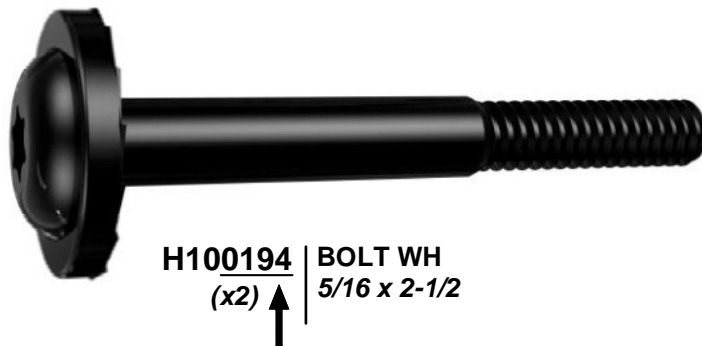
- Organize wood parts by the three-digit, alpha-numeric number stamped on each board (ex. P01).
- If there are multiple boards with the same stamped number, stack those pieces together.
- Stamps can be found on the flat surface of the boards or on the end of the boards.
- Allow yourself plenty of room - the wood pieces can take up a significant amount of space.

**NOTE: CARTONS ARE NOT ORGANIZED BY BOARD NUMBER.**



## HARDWARE PARTS:

- We recommend that you have a separate table to organize the hardware.
- Hardware bags are printed with a seven-digit, alpha-numeric part number.
- You can organize your hardware by part number or group by hardware type (i.e. bolts, nuts, etc.).
- During assembly you only need to reference the last four digits of the number.



# PRE-ASSEMBLY STEP 2 - TOOLS REQUIRED



Cordless Drill or  
Electric Drill



Drill Attachments:  
Phillips Head



1/8", 3/16", 3/8" & 7/16"  
Drill Bits



Phillips Screw Driver



Open End Wrenches 1/2" & 9/16"



3/8" Drive Ratchet, 1/2" &  
9/16" STD Sockets 1/2" & 9/16" Deep  
Sockets



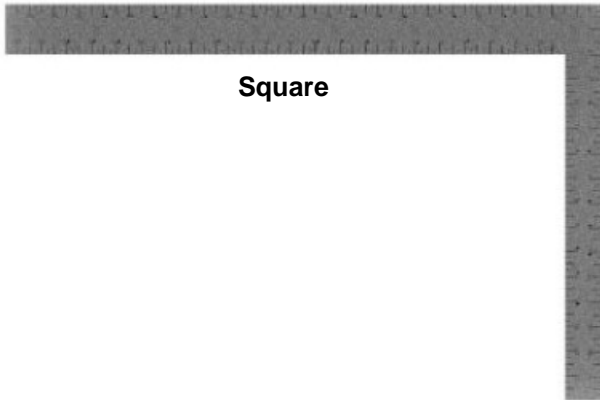
Claw Hammer



Rubber Mallet - Optional



Tape Measure



Square

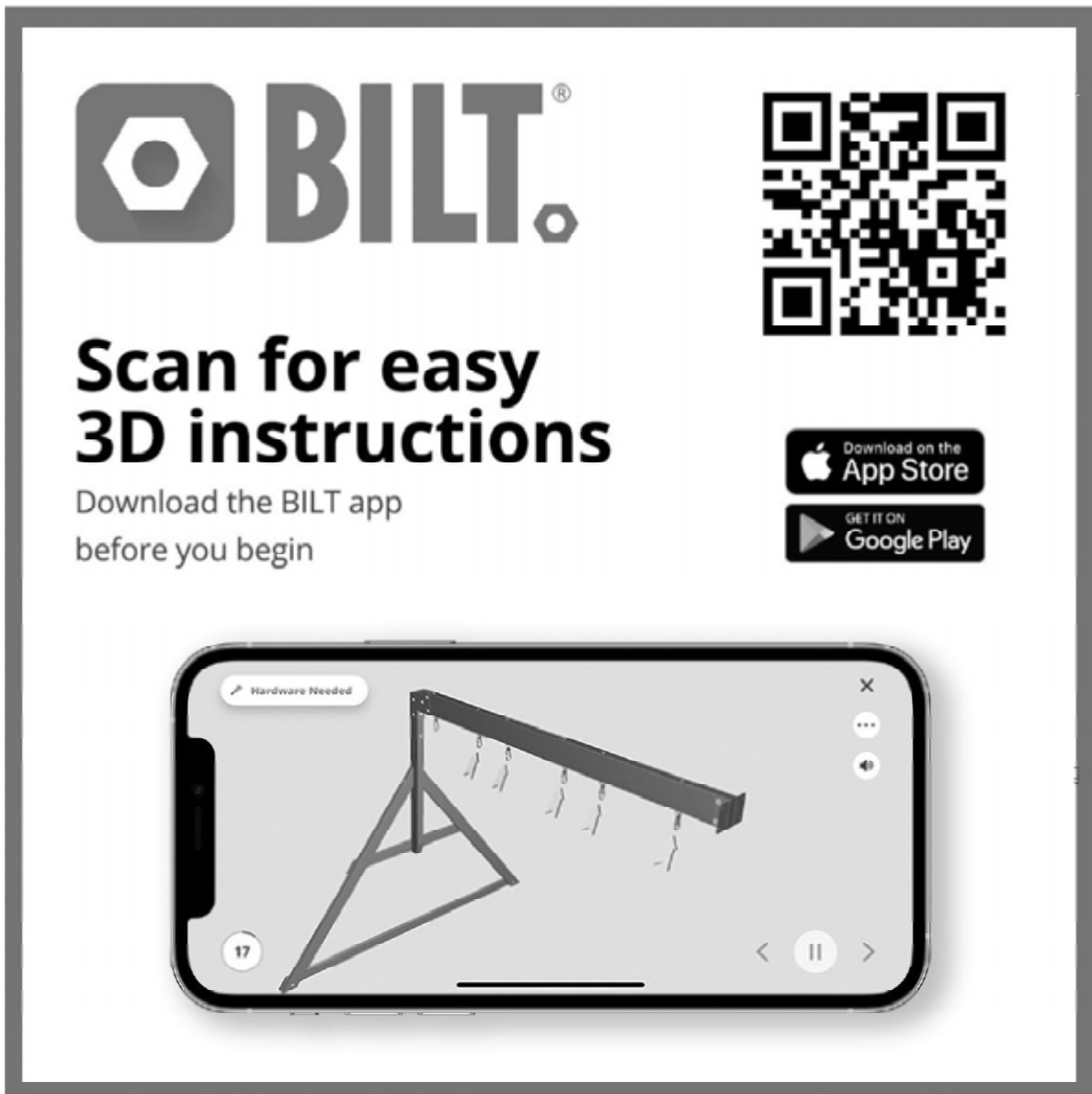


Level 24"

# PRE-ASSEMBLY STEP 3 - CHOOSE YOUR ASSEMBLY METHOD

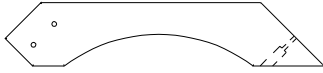
There are several types of assembly instructions available to you.

1. Printed Assembly Manual included with your set
2. BILT APP - 3D interactive instructions
3. Combination of the Printed Manual and BILT APP (Note: Step numbers can differ between the two methods)



The advertisement features the BILT logo (a hexagon with a dot) and the word "BILT." in a bold, sans-serif font. To the right is a large QR code. Below the logo, the text "Scan for easy 3D instructions" is written in a large, bold font, followed by "Download the BILT app before you begin" in a smaller font. Two buttons are present: "Download on the App Store" with the Apple logo and "GET IT ON Google Play" with the Google Play logo. At the bottom, a smartphone screen displays a 3D assembly instruction for a step labeled "17". The screen shows a metal frame with a horizontal bar and several hanging components. The interface includes a "Hardware Needed" button, a close button (X), a menu button (three dots), a volume icon, and navigation arrows.

# STEP 1 - PERGOLA ASSEMBLY



**D9 SHORT ANGLE BRACE - W4L18491**  
 (x4) 1 3/8"x5 1/4"x26 5/8" (36x134x675)

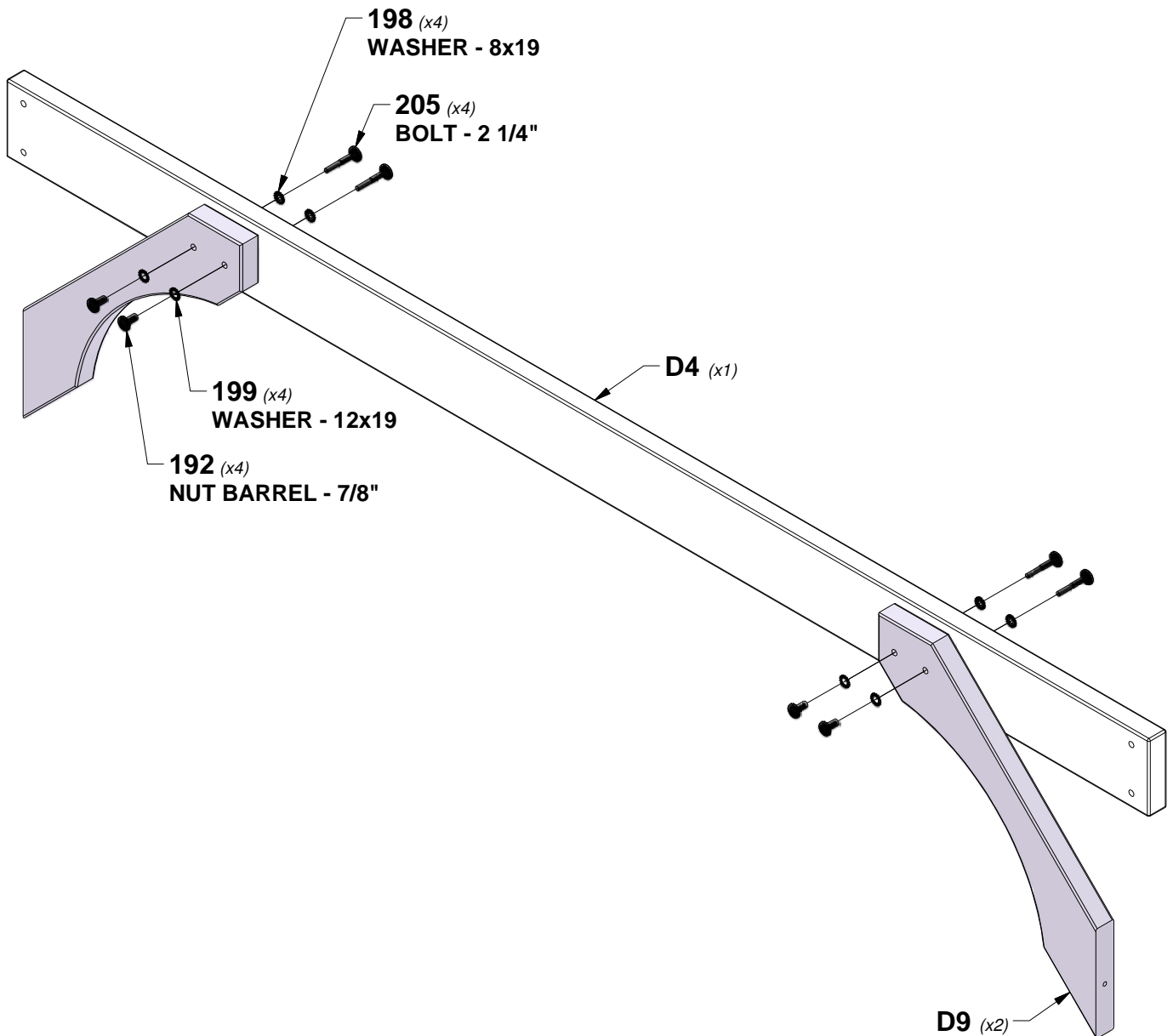
QTY	PART NUMBER	DESCRIPTION
8	H100192	NUT BARREL WH 5/16x7/8 BLK
8	H100198	WASHER LOCK EXT 8x19 BLK
8	H100199	WASHER LOCK EXT 12x19 BLK
8	H100205	BOLT WH 5/16x2-1/4 BLK



**D4 JOIST - W4L18489**  
 (x2) 1 3/8"x5 1/4"x90" (36x134x2286)

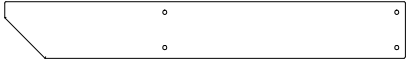
**REPEAT PROCESS FOR OPPOSITE SIDE.**

**\*\*\*HAND TIGHTEN ONLY AT THIS TIME.\*\*\***



# STEP 2 - PERGOLA ASSEMBLY

QTY	PART NUMBER	DESCRIPTION
16	H100192	NUT BARREL WH 5/16x7/8 BLK
16	H100198	WASHER LOCK EXT 8x19 BLK
16	H100199	WASHER LOCK EXT 12x19 BLK
16	H100205	BOLT WH 5/16x2-1/4 BLK



**D2 JOIST END - W4L11643**  
(x4) 1 3/8"x5 1/4"x37 1/2" (36x134x954)



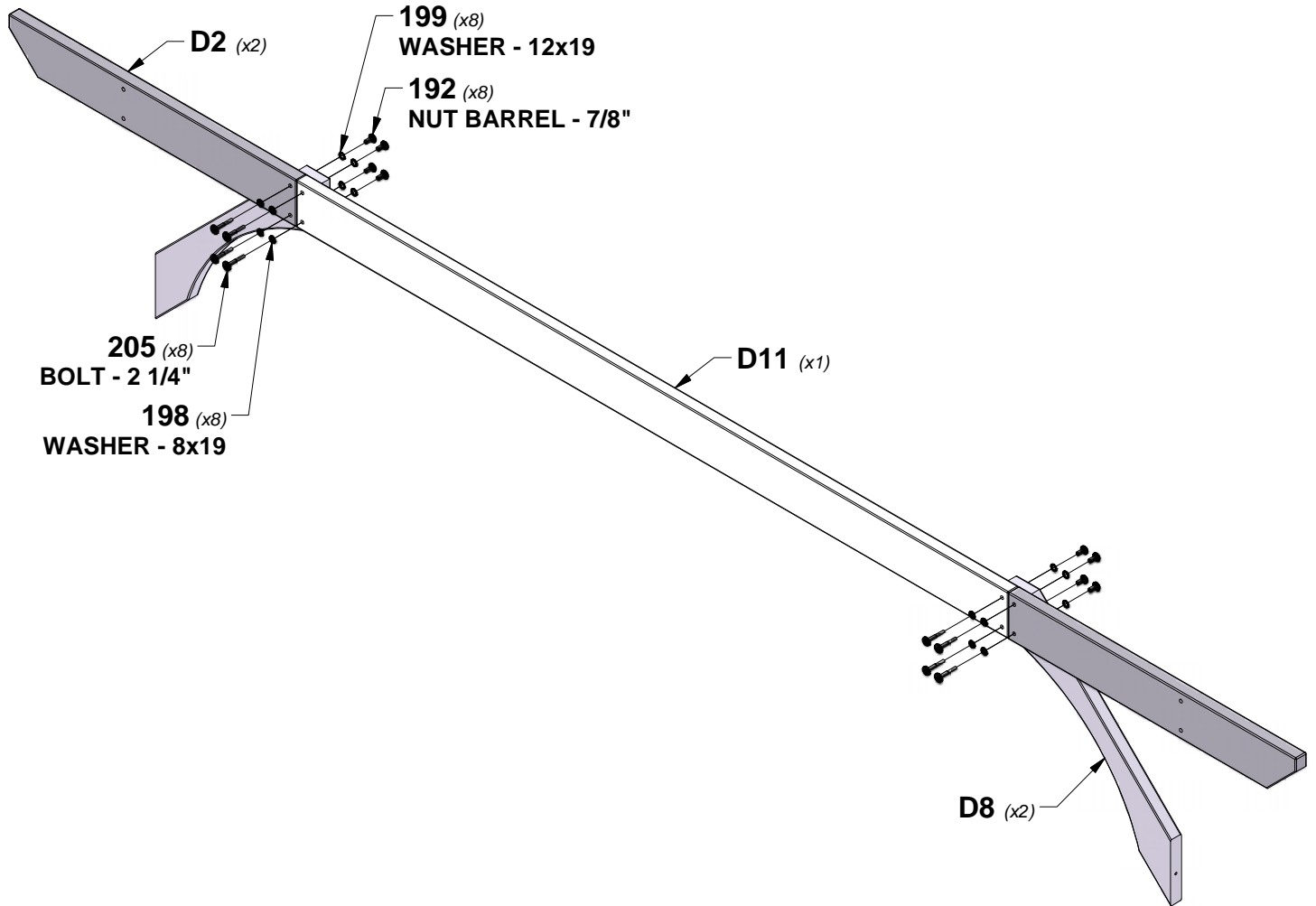
**D8 LONG ANGLE BRACE - W4L18490**  
(x4) 1 3/8"x5 1/4"x33 1/2" (36x134x850)



**D11 JOIST - W4L11646**  
(x2) 1 3/8"x5 1/4"x92 7/8" (36x134x2360)

**REPEAT PROCESS FOR OPPOSITE SIDE.**

**\*\*\*HAND TIGHTEN ONLY AT THIS TIME.\*\*\***



# STEP 3 - PERGOLA ASSEMBLY



**D7 JOIST END - W4L11634**  
 (x4) 1 3/8"x5 1/4"x37 1/2" (36x134x954)



**D8 LONG ANGLE BRACE - W4L18490**  
 (x4) 1 3/8"x5 1/4"x33 1/2" (36x134x850)

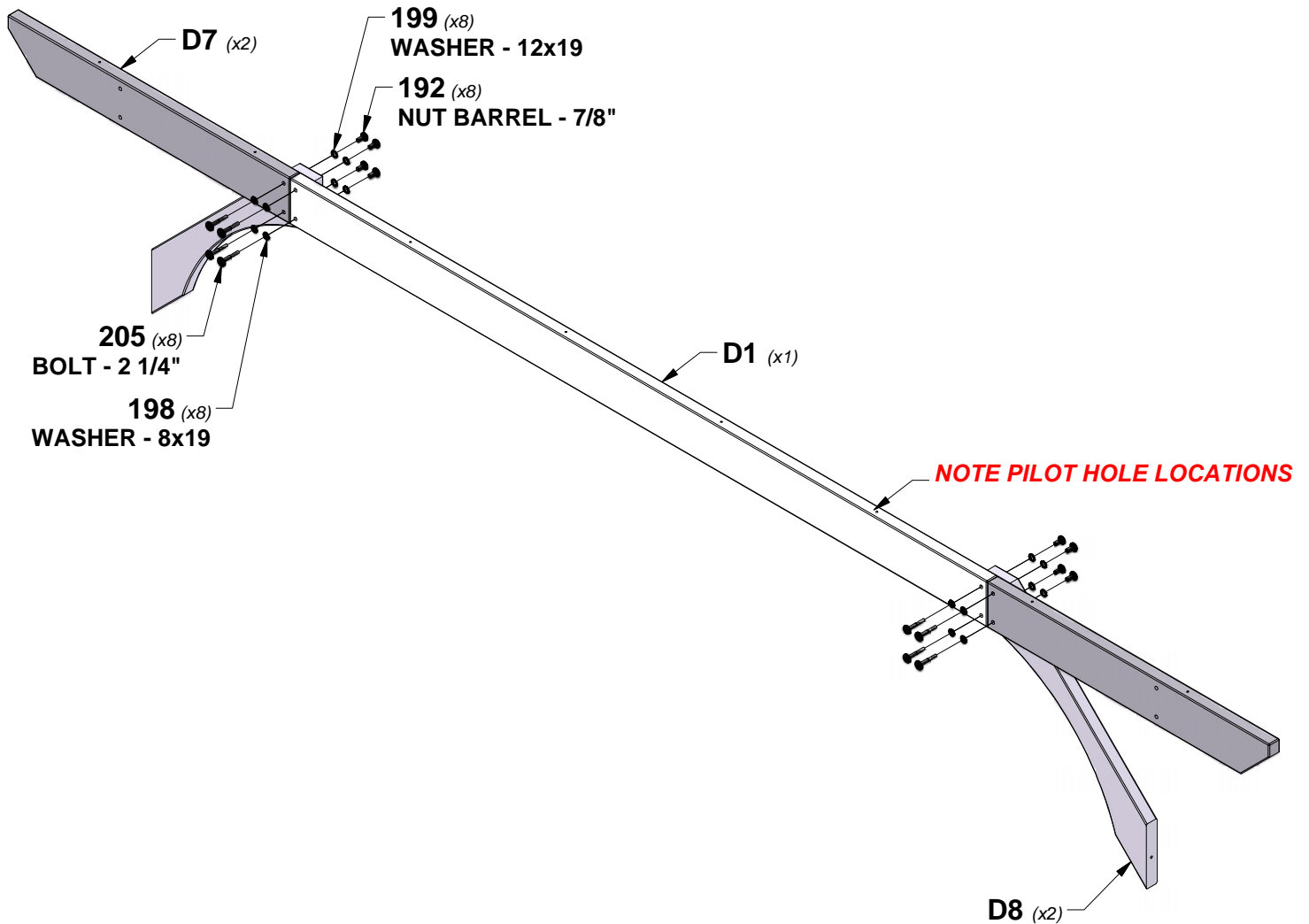
QTY	PART NUMBER	DESCRIPTION
16	H100192	NUT BARREL WH 5/16x7/8 BLK
16	H100198	WASHER LOCK EXT 8x19 BLK
16	H100199	WASHER LOCK EXT 12x19 BLK
16	H100205	BOLT WH 5/16x2-1/4 BLK



**D1 JOIST - W4L11635**  
 (x2) 1 3/8"x5 1/4"x92 7/8" (36x134x2360)

**REPEAT PROCESS FOR OPPOSITE SIDE.**

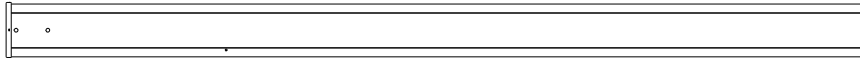
**\*\*\*HAND TIGHTEN ONLY AT THIS TIME.\*\*\***



# STEP 4 - PERGOLA ASSEMBLY



**D5 JOIST - W4L11638**  
(x2) 1 3/8"x5 1/4"x90" (36x134x2286)



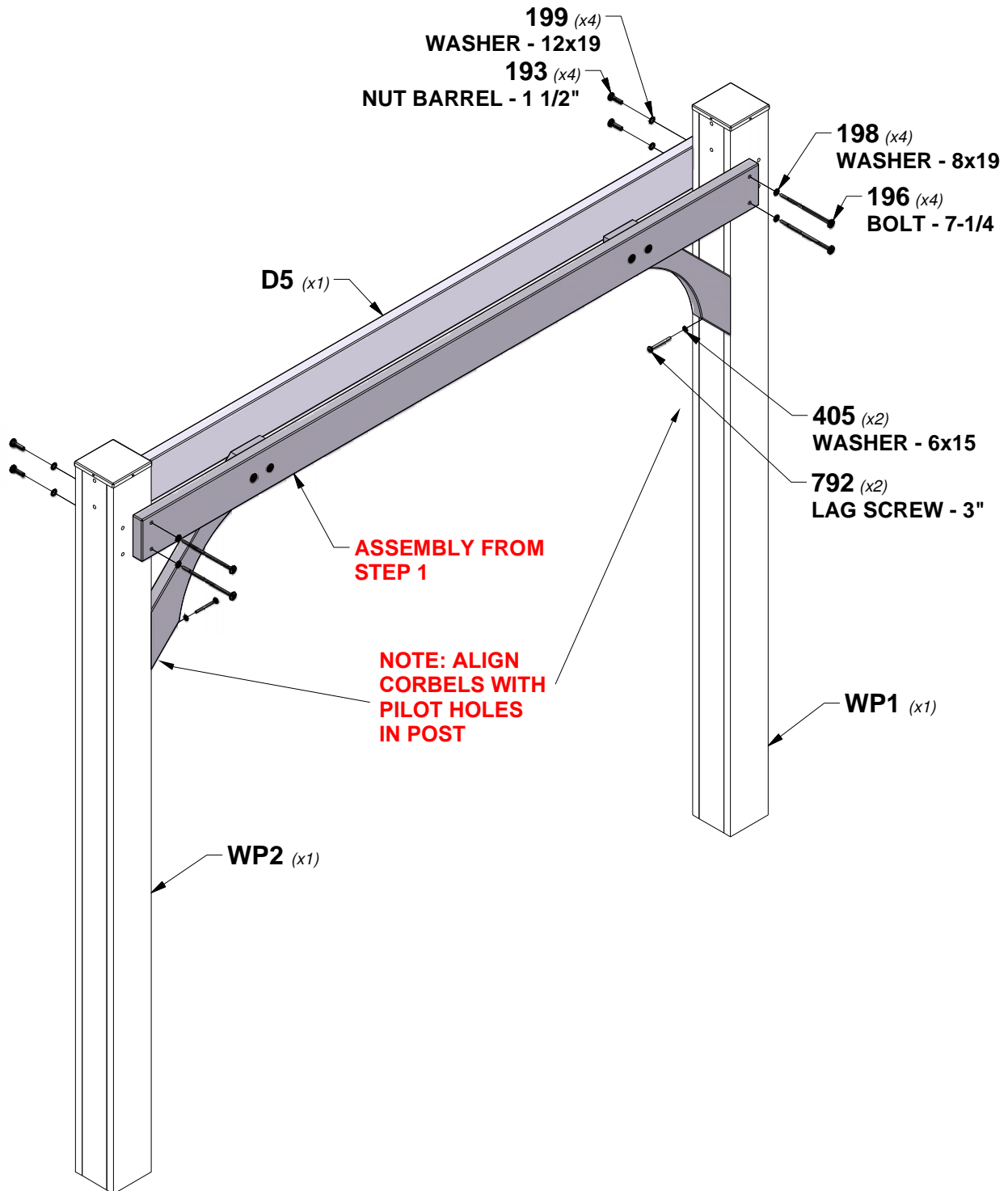
**WP2 PERGOLA POST - W2A03771**  
(x2) 5 1/2"x5 1/2"x89 1/2" (140x140x2273)



**WP1 PERGOLA POST - W2A03772**  
(x2) 5 1/2"x5 1/2"x89 1/2" (140x140x2273)

QTY	PART NUMBER	DESCRIPTION
8	H100193	NUT BARREL WH 5/16x1-1/2 BLK
8	H100196	BOLT WH 5/16x7-1/4 BLK
8	H100198	WASHER LOCK EXT 8x19 BLK
8	H100199	WASHER LOCK EXT 12x19 BLK
4	H100405	WASHER LOCK EXT 6x15 BLK
4	H100792	LAG SCREW WH 1/4x3 BLK

**REPEAT PROCESS FOR OPPOSITE SIDE.**



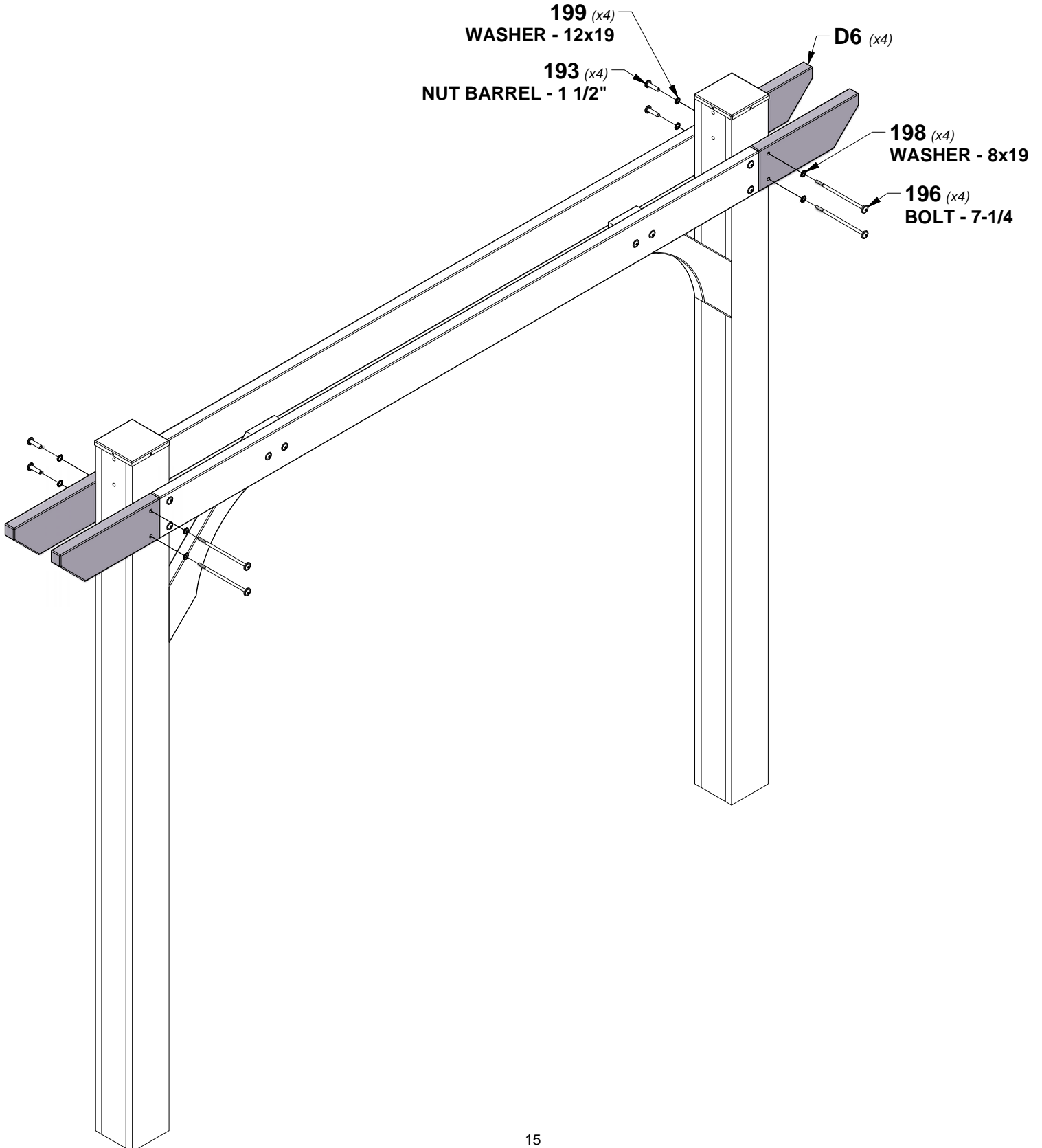
# STEP 5 - PERGOLA ASSEMBLY



**D6 JOIST END - W4L11633**  
 (x8) 1 3/8"x5 1/4"x15" (36x134x381)

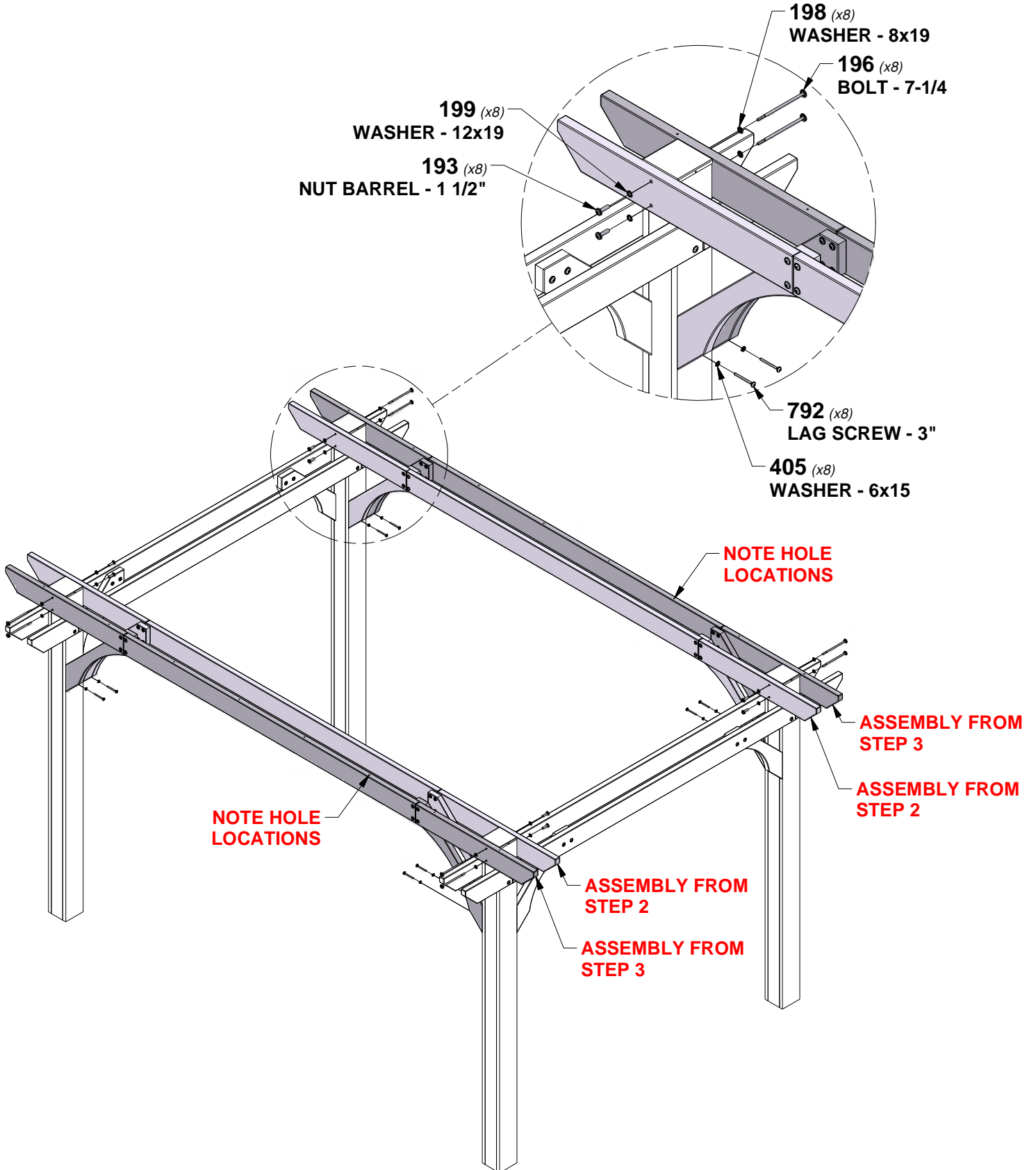
QTY	PART NUMBER	DESCRIPTION
8	H100193	NUT BARREL WH 5/16x1-1/2 BLK
8	H100196	BOLT WH 5/16x7-1/4 BLK
8	H100198	WASHER LOCK EXT 8x19 BLK
8	H100199	WASHER LOCK EXT 12x19 BLK

**REPEAT PROCESS FOR OPPOSITE SIDE.**



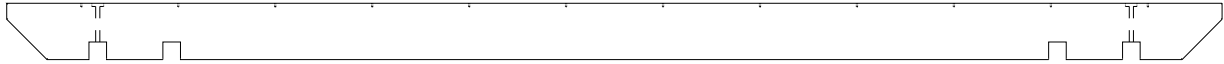
# STEP 6 - PERGOLA ASSEMBLY

QTY	PART NUMBER	DESCRIPTION
8	H100193	NUT BARREL WH 5/16x1-1/2 BLK
8	H100196	BOLT WH 5/16x7-1/4 BLK
8	H100198	WASHER LOCK EXT 8x19 BLK
8	H100199	WASHER LOCK EXT 12x19 BLK
8	H100405	WASHER LOCK EXT 6x15 BLK
8	H100792	LAG SCREW WH 1/4x3 BLK



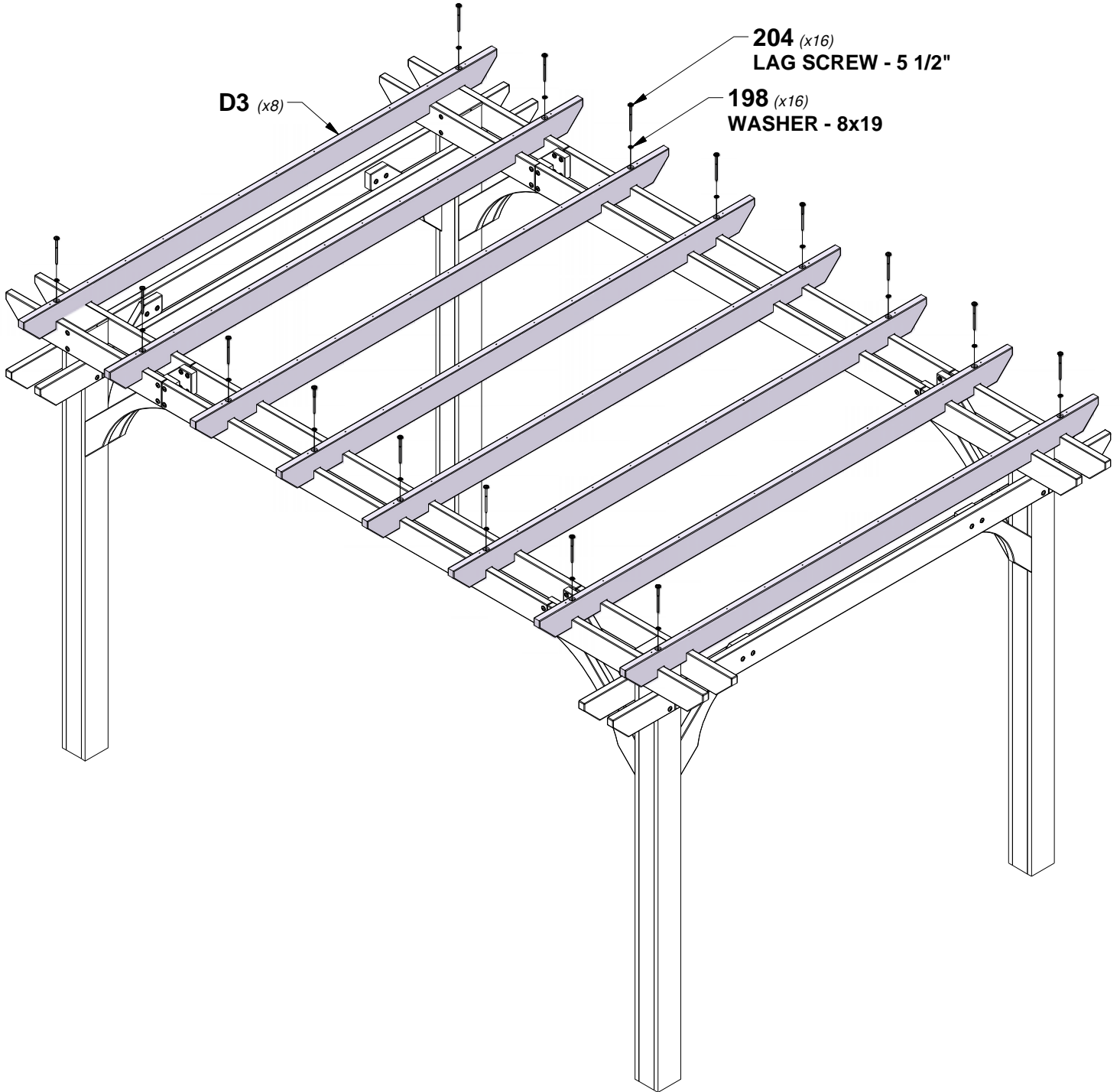
# STEP 7 - PERGOLA ASSEMBLY

QTY	PART NUMBER	DESCRIPTION
16	H100198	WASHER LOCK EXT 8x19 BLK
16	H100204	LAG SCREW WH 5/16x5-1/2 BLK



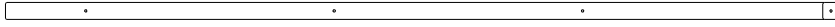
**D3 SLOTTED JOIST - W4L11637**  
(x8) 1 3/8"x5 1/4"x114" (36x134x2896)

**ALIGN JOIST OVER PILOT HOLES IN LOWER JOIST**

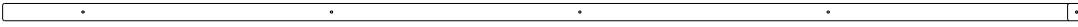


# STEP 8 - PERGOLA ASSEMBLY

QTY	PART NUMBER	DESCRIPTION
96	H100201	SCREW PFH 8x2-1/2 BLK

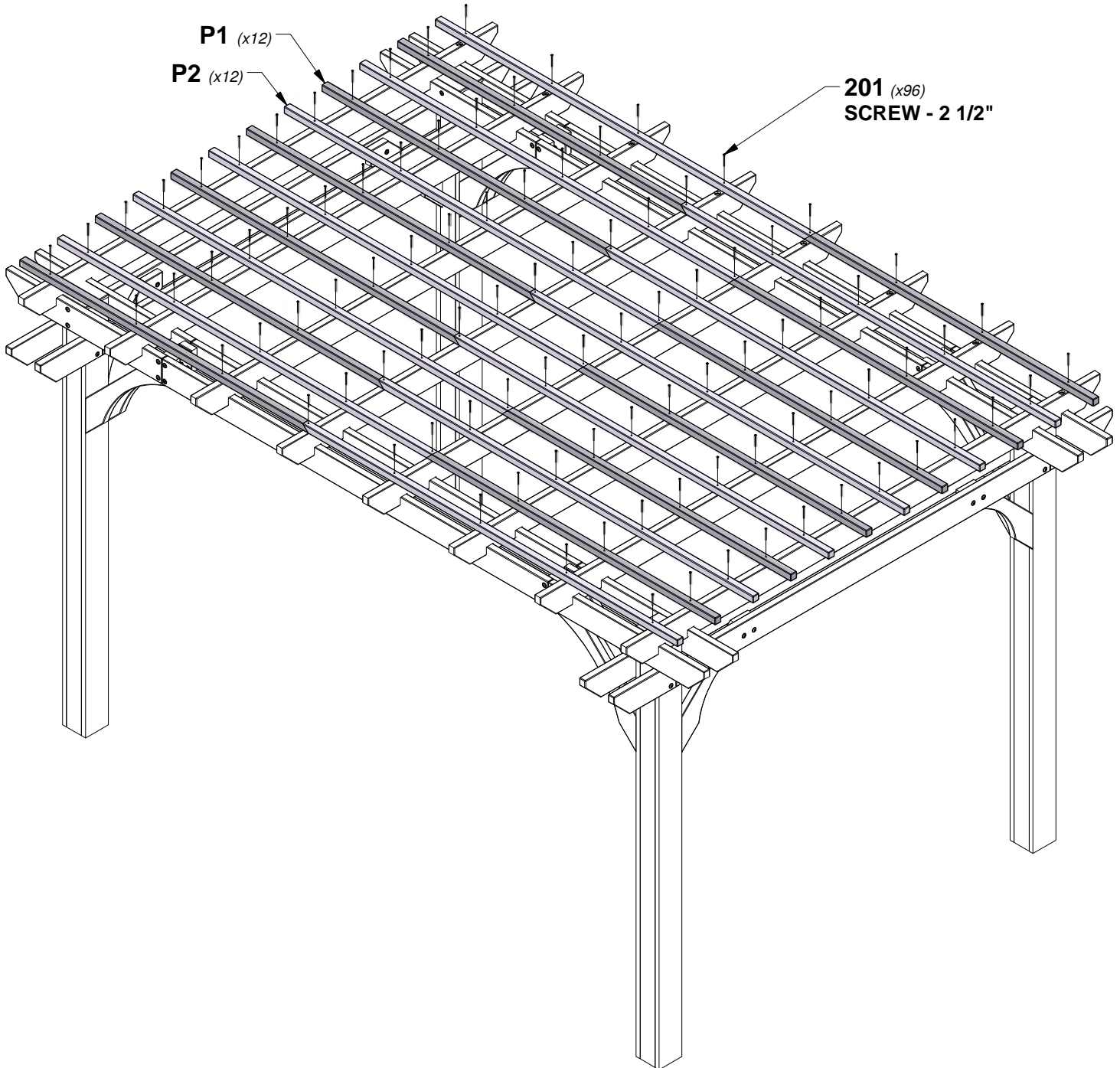


**P1 PURLIN - W4L11639**  
(x12) 1 3/8"x1 3/8"x69 5/8" (36x36x1767)

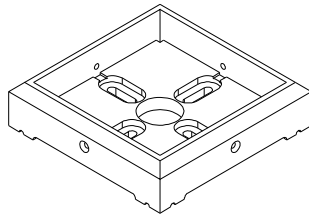


**P2 PURLIN - W4L11640**  
(x12) 1 3/8"x1 3/8"x90 1/4" (36x36x2291)

**ASSEMBLE REMAINING P1 AND P2 PURLINS ALTERNATING LOCATIONS AS SHOWN.**



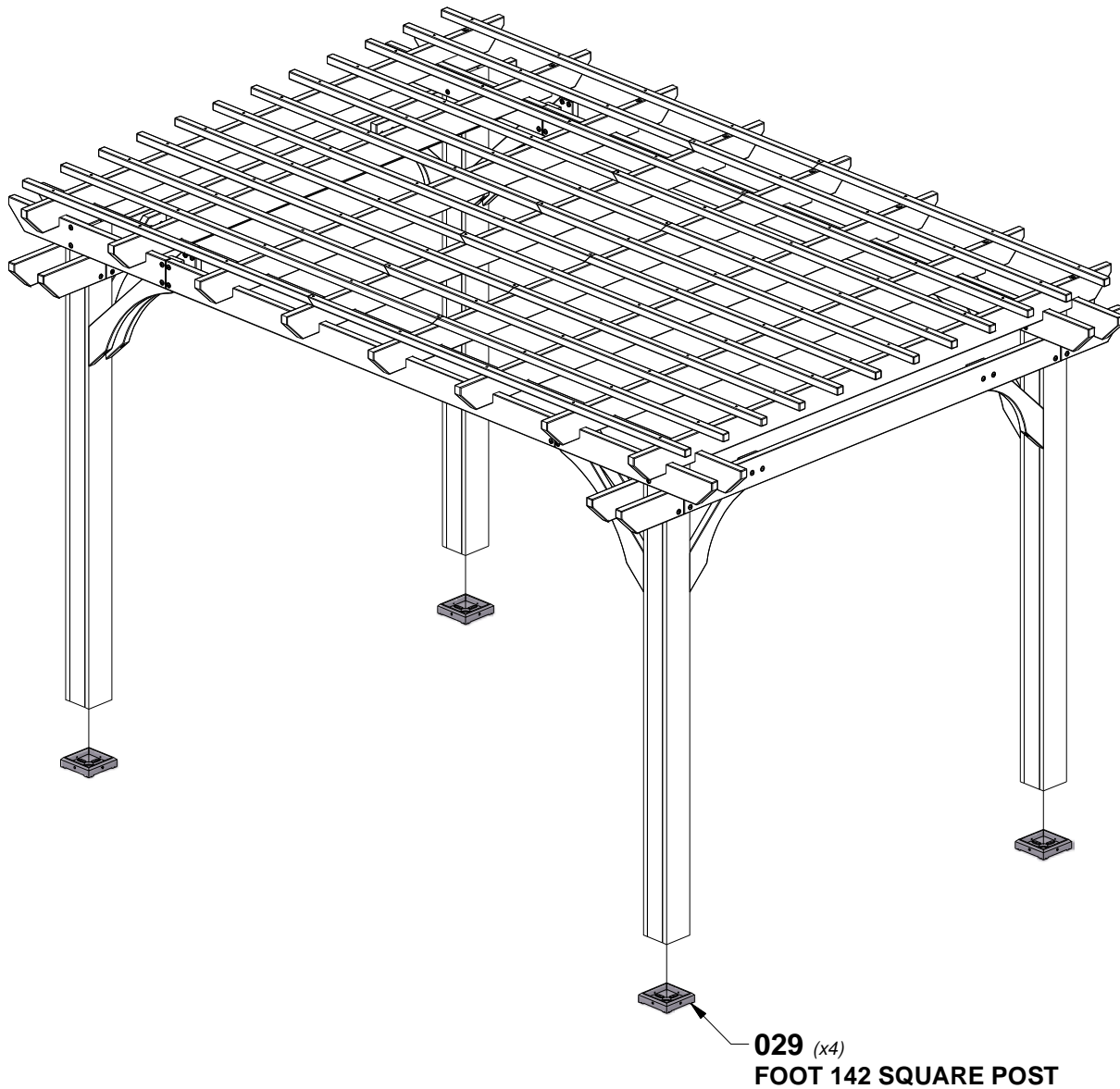
# STEP 9 - PERGOLA ASSEMBLY



A100029  
(x4) FOOT 142 SQUARE POST

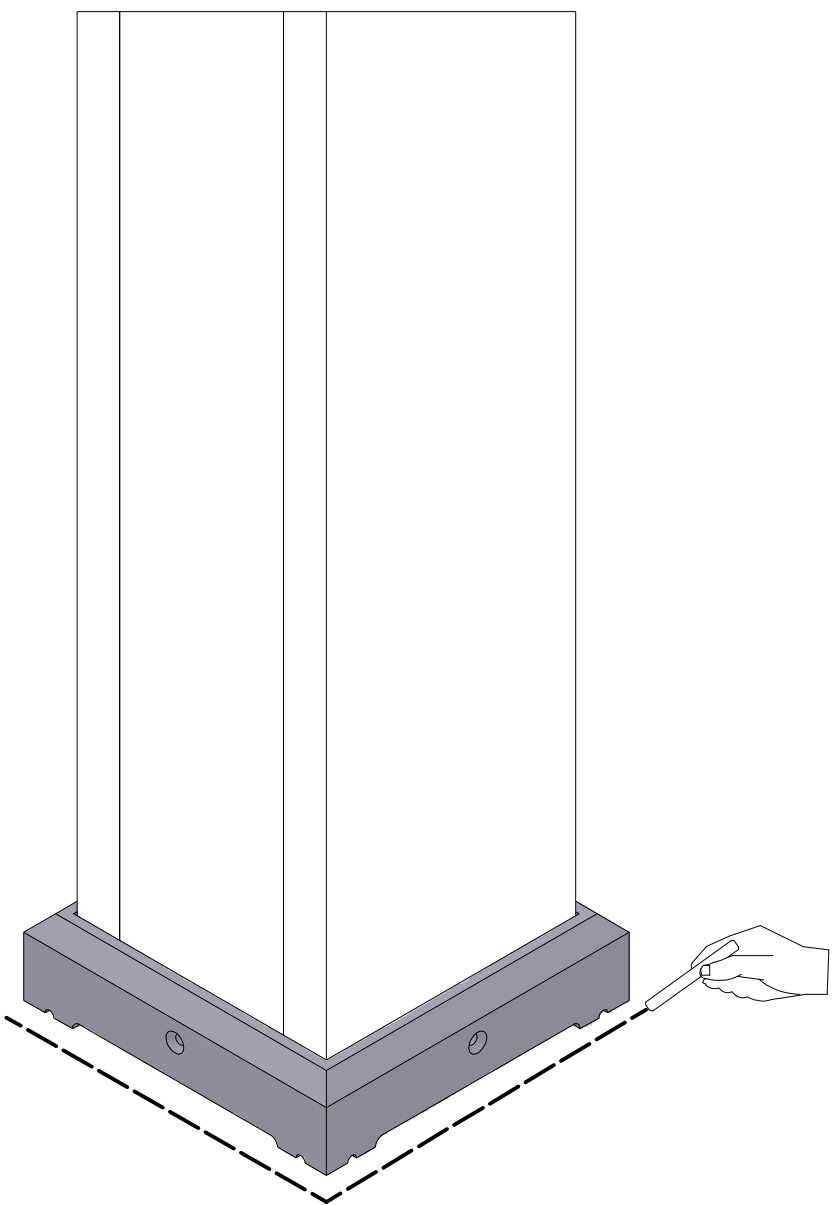
**DECIDE WHERE TO PLACE THE PERGOLA; GRASS, CONCRETE OR OTHER MATERIAL. PLACE THE PERGOLA EXACTLY WHERE IT WILL BE ANCHORED WHEN COMPLETED AND SLIDE A FOOT UNDER EACH POST 'WP1'.**

**NOTE:  
IF NOT PLACING ON CONCRETE, PROCEED TO STEP 13.**



# STEP 10 - PERGOLA ASSEMBLY

**USE CHALK TO TRACE AROUND THE EDGES OF EACH FOOT.**

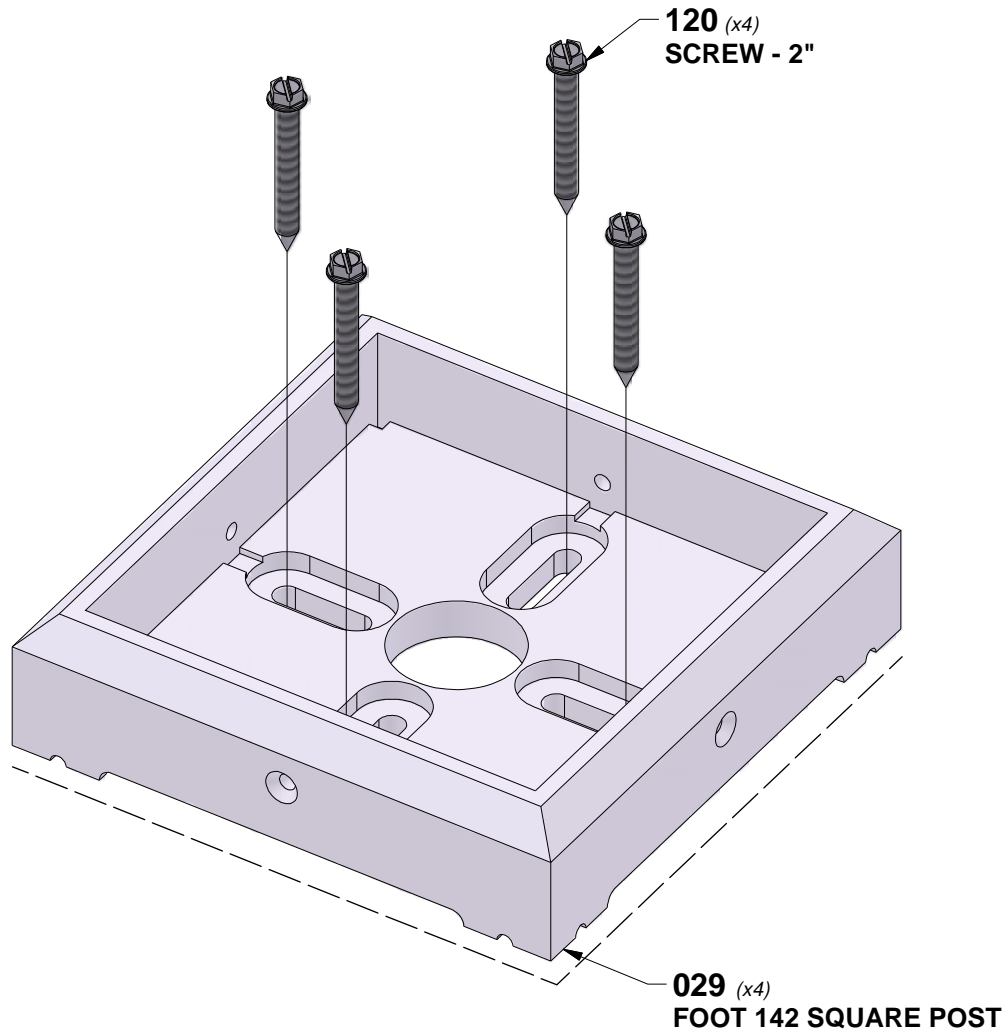


# STEP 11 - PERGOLA ASSEMBLY

QTY	PART NUMBER	DESCRIPTION
16	H100120	CONCRETE ANCHOR 1/4x2

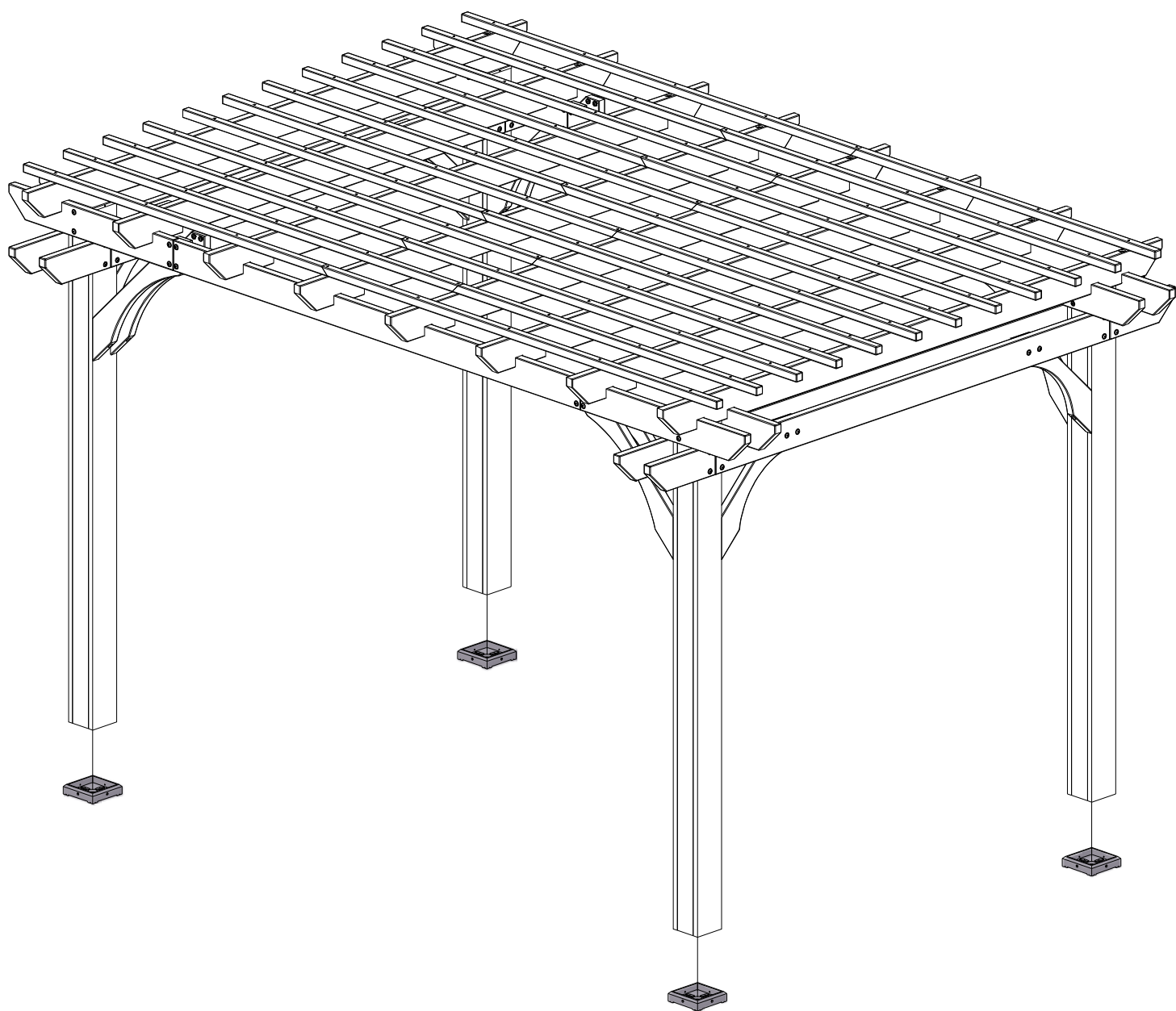
**MOVE THE PERGOLA ASIDE. PLACE EACH FOOT INSIDE OF THE LINES DRAWN IN STEP 14. USING A CONCRETE DRILL BIT, PILOT DRILL ATTACHMENT HOLES INTO THE CONCRETE PAD.**

**NEXT, USE THE 1/4"x2" CONCRETE ANCHORS TO ATTACH EACH FOOT TO THE CONCRETE SURFACE.**



# STEP 12 - PERGOLA ASSEMBLY

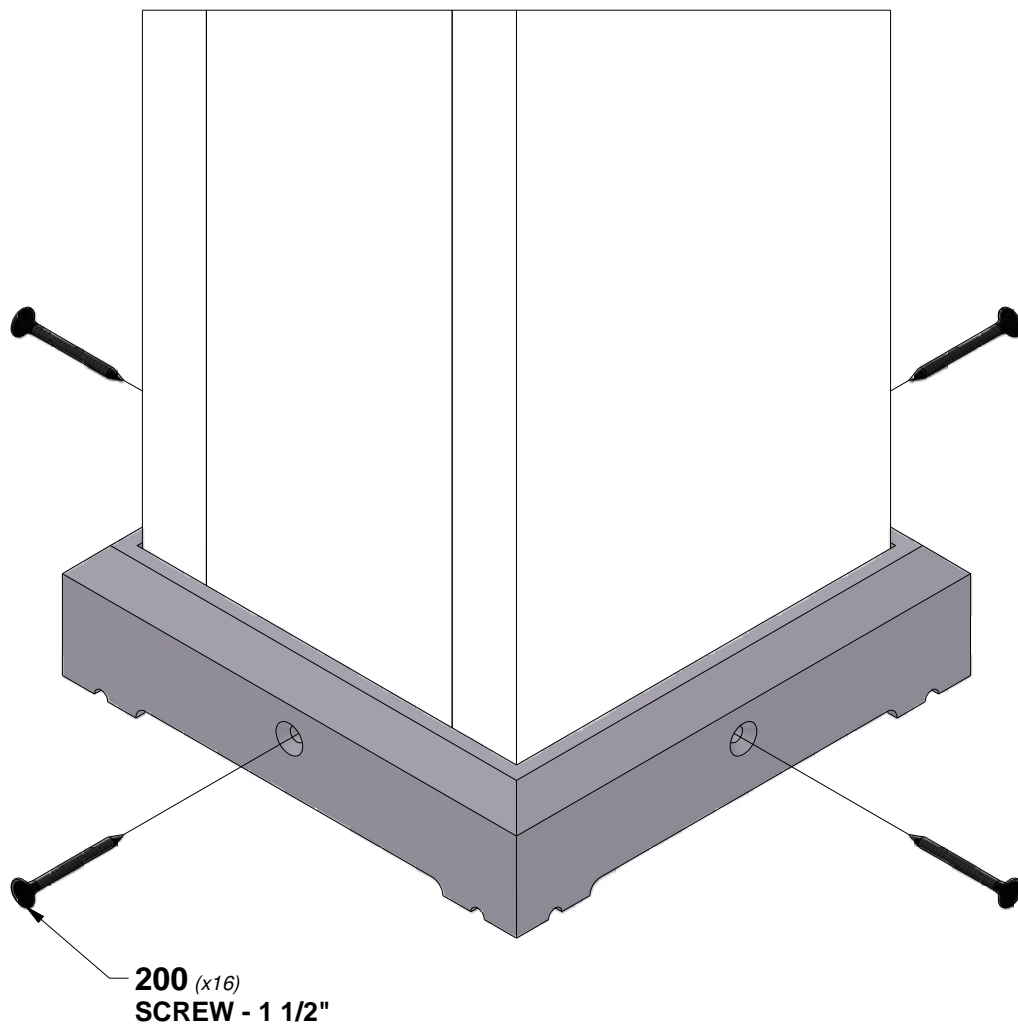
**SET THE PERGOLA BACK IN PLACE, SETTING EACH POST 'WP1' INSIDE AN FOOT.**



# STEP 13 - PERGOLA ASSEMBLY

QTY	PART NUMBER	DESCRIPTION
16	H100200	SCREW PFH 8x1-1/2 BLK

**ATTACH FEET TO EACH 'WP1' POST USING 1-1/2" SCREWS INTO EACH SIDE OF FOOT, AS SHOWN.**



# STEP 14 - PERGOLA ASSEMBLY

QTY	PART NUMBER	DESCRIPTION
2	H100392	SCREW PWH 8x3/4 BLK



A100241 (x1) | **BYD ID TAG (SMALL) WITHOUT AGES**

**PLACE I.D. PLACARD ON FRONT OF POST APPROXIMATELY AS SHOWN.**

**SQUARE POSTS AND TIGHTEN ALL HARDWARE AT THIS TIME.**

