

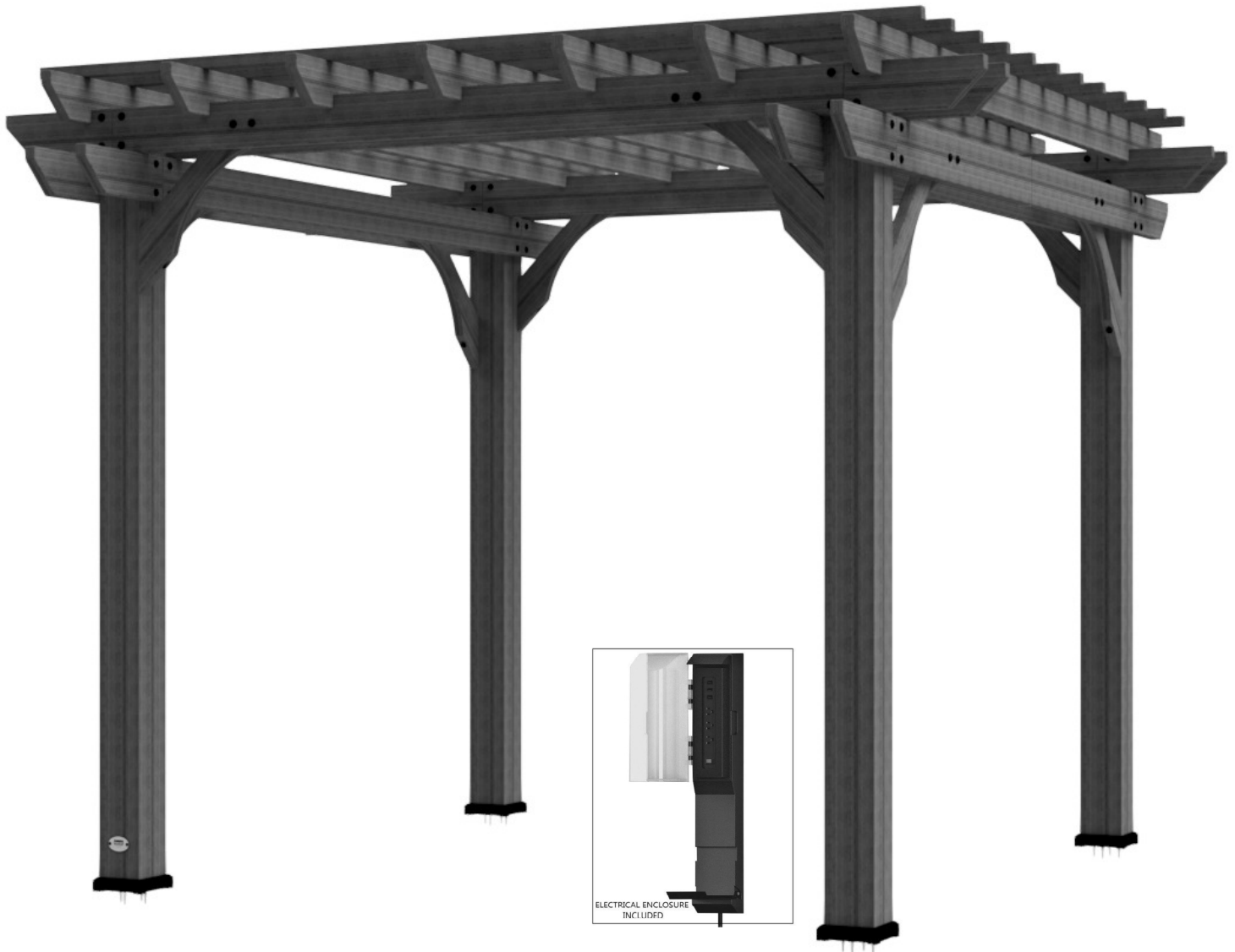


MANUFACTURED BY:
Backyard Discovery
 3305 Airport Drive, Pittsburg, KS 66762
 800-856-4445

Basepoint Business Centre: Rivermead Drive, Westlea, Swindon SN5 7EX Phone: 0800-118-2476
 J.P. Coenstraat 7, The Bridge, The Hague, 2595 WP, Netherlands Phone: 0800-567-8990

10x10 PERGOLA

Model # 1505513B



Please visit www.backyarddiscovery.com

For the most up to date assembly manual, to register your set, or to order replacement parts
Para obtener instrucciones en español, visite www.backyarddiscovery.com



EASY STEP-BY-STEP
3D INTERACTIVE INSTRUCTIONS
 DOWNLOAD THE FREE APP



Made in China

INS-1505513B-A-10x10 PERGOLA-ENG 1-19-24

Owner's Manual - Basic Setup Dimensions & Assembly Notes

It is critically important that you start with square and level footings, concrete pad or deck to attach your structure

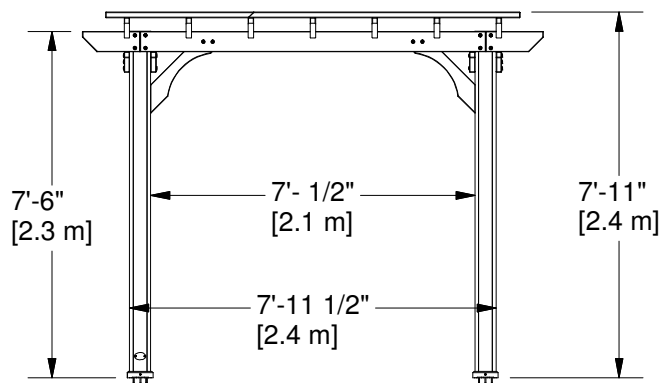
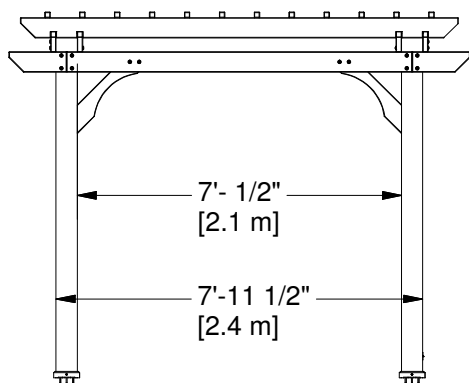
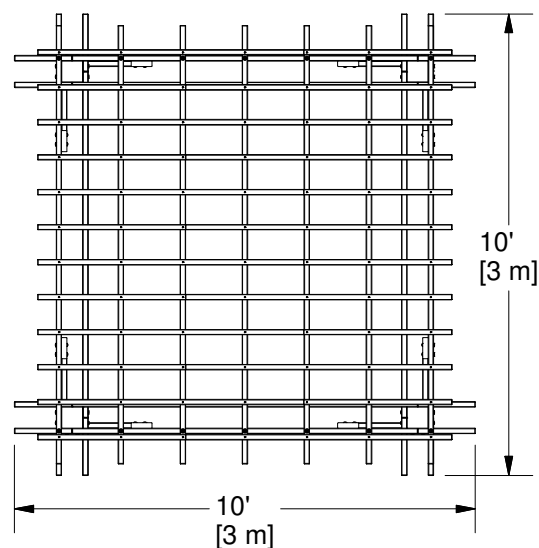
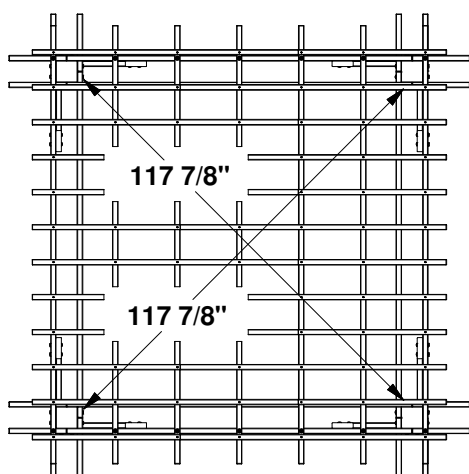
- Pay close attention to the items needed for each step. Make sure you are using the correct hardware for each step. Using incorrect hardware may result in improper assembly
- Remember to double check for underground utilities and overhead electrical lines

Post mounts are provided with your structure which allows you to permanently install your structure to a pre-existing or new wood or concrete surface.

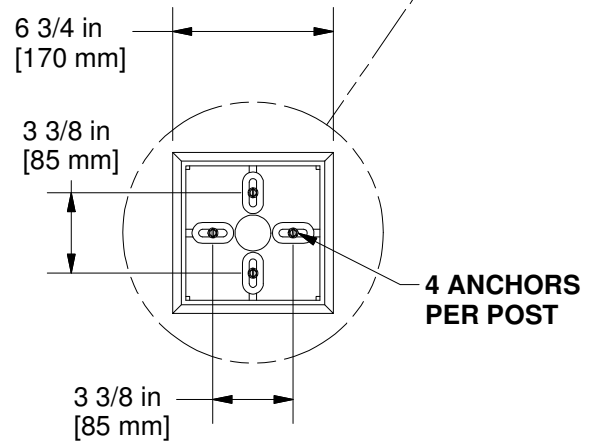
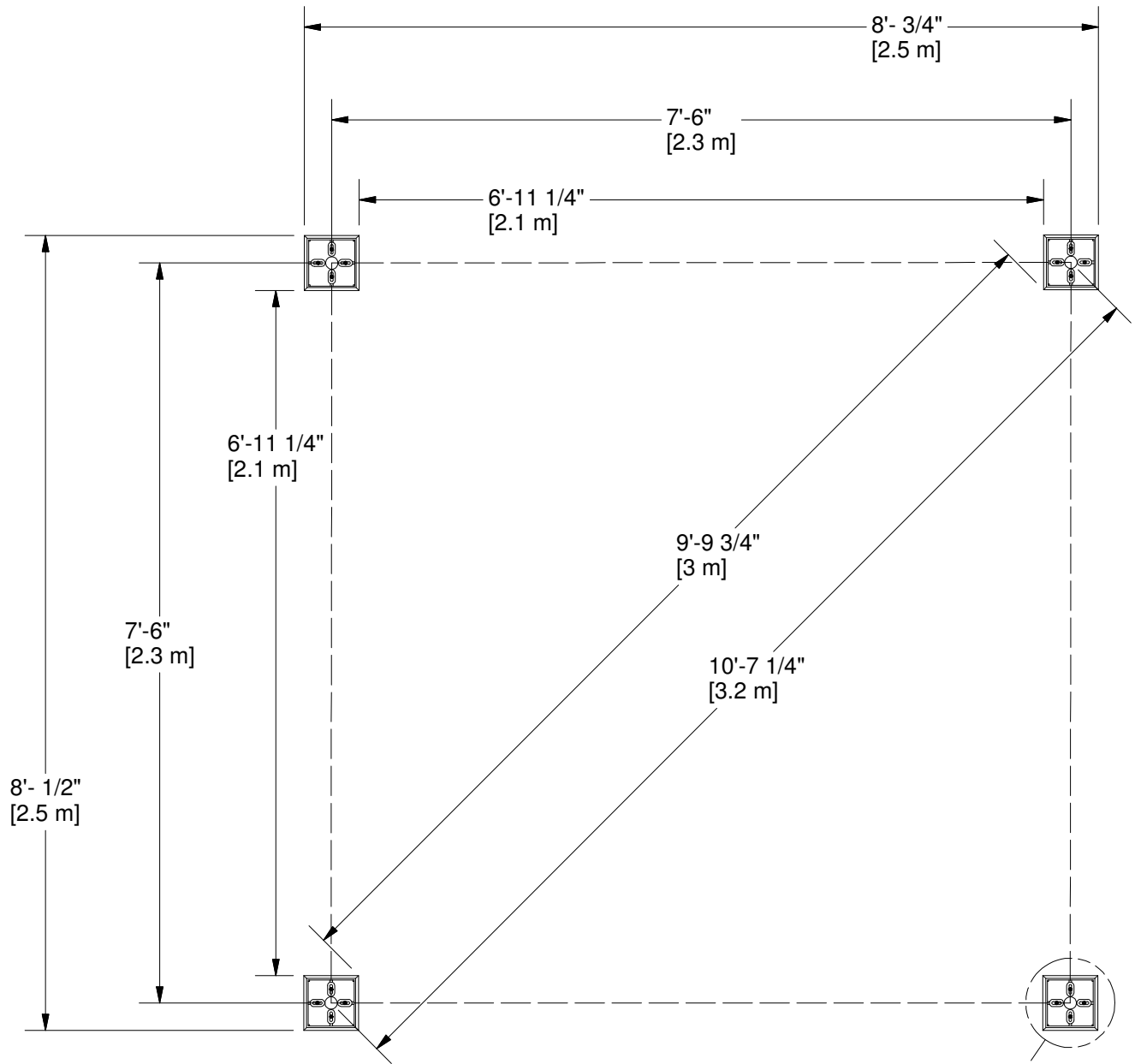
- The hardware to attach the post mounts to the structure is included.
- The hardware to mount the structure permanently to a concrete surface is included.
- The hardware to mount the structure permanently to a wood deck is NOT included and will need to be purchased separately. **You must ensure there is ample structural support under the deck before permanently attaching.**

Metal Roof Assembly

Remove plastic covering from metal roof panels before installing each piece. Place roofing materials on a nonabrasive, flat surface before and after assembly as it could bend, dent or scratch

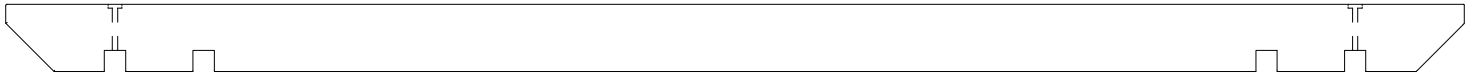


Owner's Manual - Anchoring Layout



Owner's Manual - Parts Identification

Wood Components (Not to Scale)



D3 SLOTTED JOIST - W4L04586
(x7) 1 3/8"x5 1/4"x114" (36x134x2896)



D4 JOIST - W4L04587
(x2) 1 3/8"x5 1/4"x90" (36x134x2286)



D5 JOIST - W4L04591
(x4) 1 3/8"x5 1/4"x90" (36x134x2286)



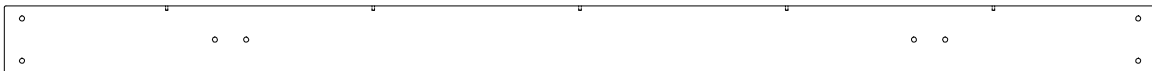
D6 JOIST END - W4L04588
(x12) 1 3/8"x5 1/4"x15" (36x134x381)



D7 JOIST END - W4L04592
(x4) 1 3/8"x5 1/4"x15" (36x134x381)



D9 SHORT ANGLE BRACE - W4L18493
(x8) 1 3/8"x5 1/4"x26 7/8" (36x134x683)



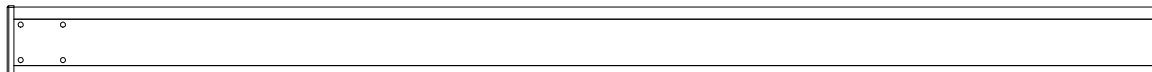
D10 JOIST - W4L05827
(x2) 1 3/8"x5 1/4"x90" (36x134x2286)



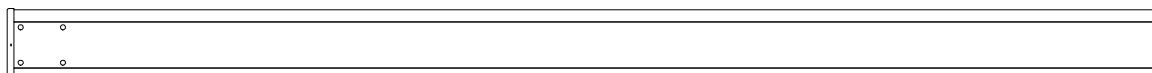
P1 LONG PURLIN - W4L05476
(x12) 1 3/8"x1 3/8"x70 3/4" (36x36x1798)



P2 SHORT PURLIN - W4L05477
(x12) 1 3/8"x1 3/8"x38 5/8" (36x36x981)



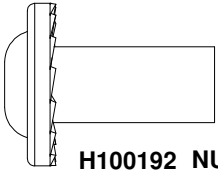
WP1 PERGOLA POST - W4L03775
(x2) 5 1/2"x5 1/2"x89 1/2" (140x140x2273)



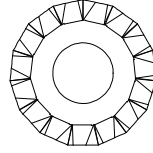
WP2 PERGOLA POST - W4L03776
(x2) 5 1/2"x5 1/2"x89 1/2" (140x140x2273)

Owner's Manual - Parts Identification

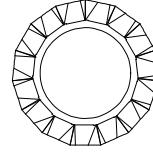
Hardware Components



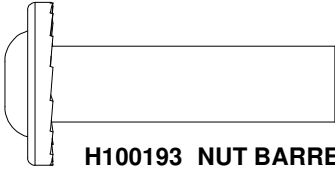
**H100192 NUT BARREL WH
BLK**
(x16) 5/16x7/8



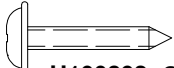
**H100198 WASHER LOCK
EXT BLK**
(x62) 8x19



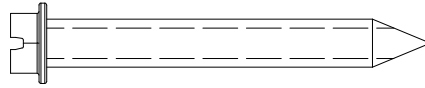
**H100199 WASHER LOCK
EXT BLK**
(x48) 12x19



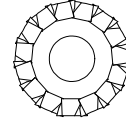
**H100193 NUT BARREL WH
BLK**
(x32) 5/16x1-1/2



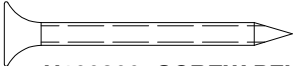
H100392 SCREW PWH BLK
(x2) 8x3/4



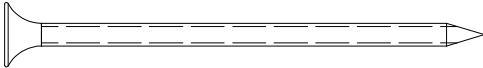
**H100120 SCREW
CONCRETE
ANCHOR**
(x16) 1/4x2



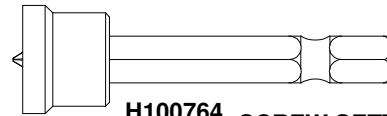
**H100405 WASHER LOCK
EXT BLK**
(x8) 6x15



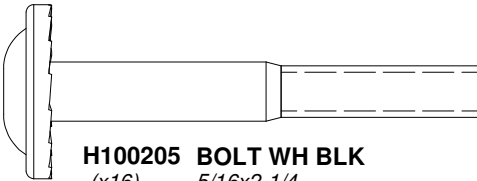
H100200 SCREW PFH BLK
(x16) 8x1 1/2



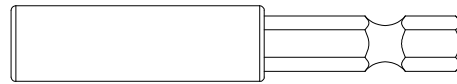
H100201 SCREW PFH BLK
(x84) 8x2-1/2



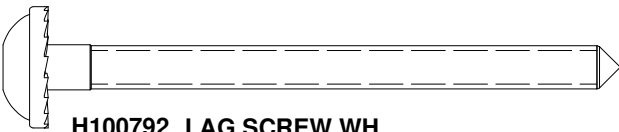
H100764 SCREW SETTER
(x1)



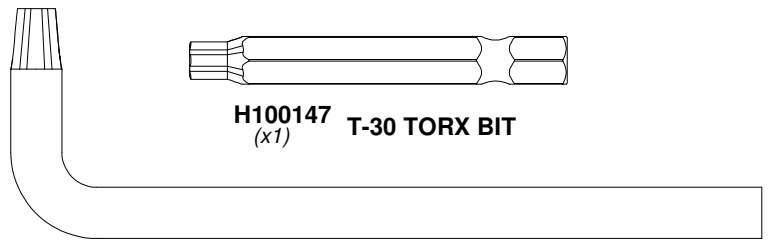
H100205 BOLT WH BLK
(x16) 5/16x2-1/4



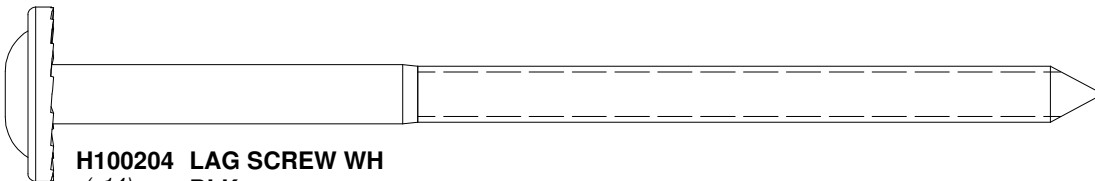
H101100 MAGNETIC DRIVER
(x1)



**H100792 LAG SCREW WH
BLK**
(x8) 1/4x3



H100147 T-30 TORX BIT
(x1)



**H100204 LAG SCREW WH
BLK**
(x14) 5/16x5 1/2

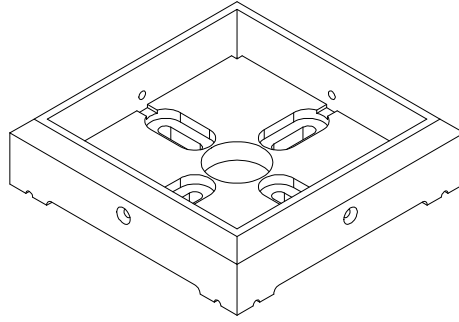
H100114 T-30 TORX WRENCH
(x1)



H100196 BOLT WH BLK
(x32) 5/16x7-1/4

Owner's Manual - Parts Identification

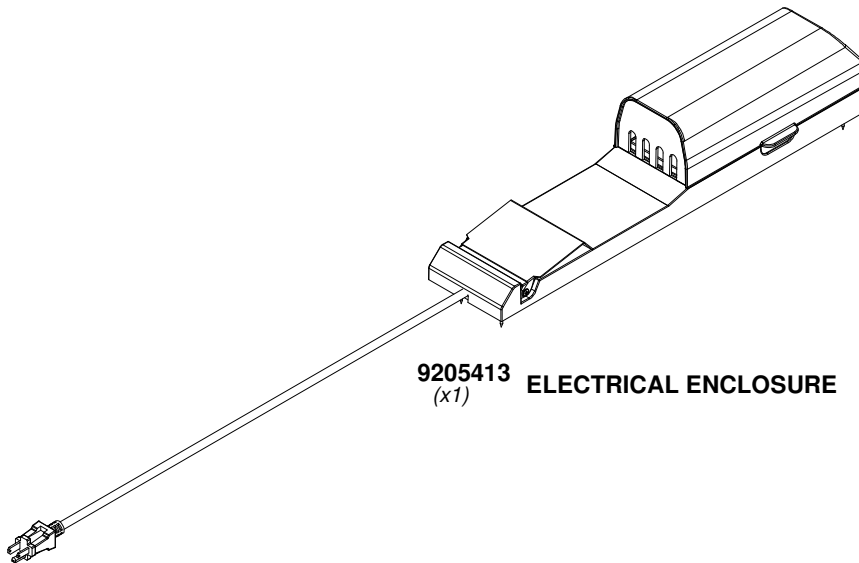
Accessory Components (Not to Scale)



A100029
(x4) FOOT 142 SQUARE POST



A100241
(x1) BYD ID TAG (SMALL) WITHOUT AGES



9205413
(x1) ELECTRICAL ENCLOSURE

PRE-ASSEMBLY STEP 1 - SORTING PARTS

It is critical for ease of assembly that you take the time to sort and organize the wood and hardware.

WOOD PARTS:

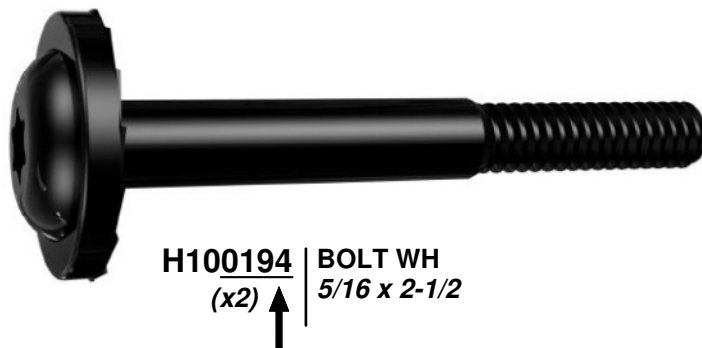
- Organize wood parts by the three-digit, alpha-numeric number stamped on each board (ex. P01).
- If there are multiple boards with the same stamped number, stack those pieces together.
- Stamps can be found on the flat surface of the boards or on the end of the boards.
- Allow yourself plenty of room - the wood pieces can take up a significant amount of space.

NOTE: CARTONS ARE NOT ORGANIZED BY BOARD NUMBER.



HARDWARE PARTS:

- We recommend that you have a separate table to organize the hardware.
- Hardware bags are printed with a seven-digit, alpha-numeric part number.
- You can organize your hardware by part number or group by hardware type (i.e. bolts, nuts, etc.).
- During assembly you only need to reference the last four digits of the number.



PRE-ASSEMBLY STEP 2 - TOOLS REQUIRED



**Cordless Drill or
Electric Drill**



**Drill Attachments:
Phillips Head**



**1/8", 3/16", 3/8" & 7/16"
Drill Bits**



Phillips Screw Driver



Open End Wrenches 1/2" & 9/16"



**3/8" Drive Ratchet, 1/2" &
9/16" STD Sockets 1/2" & 9/16" Deep
Sockets**



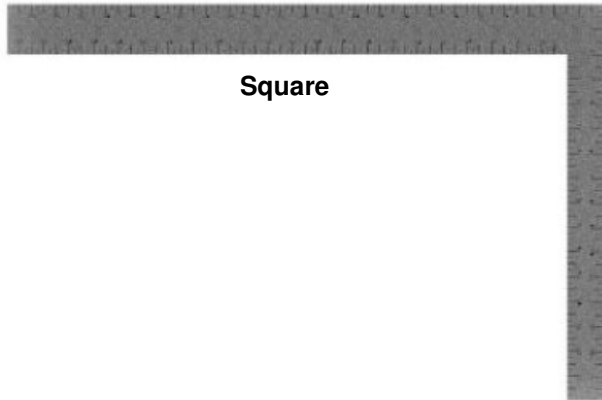
Claw Hammer



Rubber Mallet - Optional



Tape Measure



Square





Level 24"

PRE-ASSEMBLY STEP 3 - CHOOSE YOUR ASSEMBLY METHOD

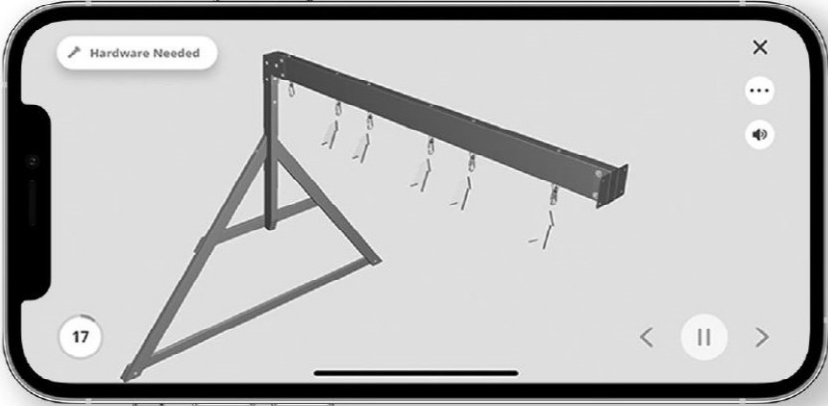


There are several types of assembly instructions available to you.

1. Printed Assembly Manual included with your set
2. BILT APP - 3D interactive instructions
3. Combination of the Printed Manual and BILT APP (Note: Step numbers can differ between the two methods)



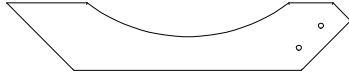
Scan for easy 3D instructions

Download the BILT app
before you begin



The image shows a smartphone screen displaying the BILT app interface. The screen features a 3D assembly diagram of a metal structure. At the top left, there is a button labeled "Hardware Needed". At the bottom left, a circular indicator shows the number "17". At the bottom right, there are navigation controls including a back arrow, a pause button, and a forward arrow. The app interface is clean and modern, with a white background and grey accents.

STEP 1 - PERGOLA ASSEMBLY



D9 SHORT ANGLE BRACE - W4L18493
 (4) 1 3/8"x5 1/4"x26 7/8" (36x134x683)

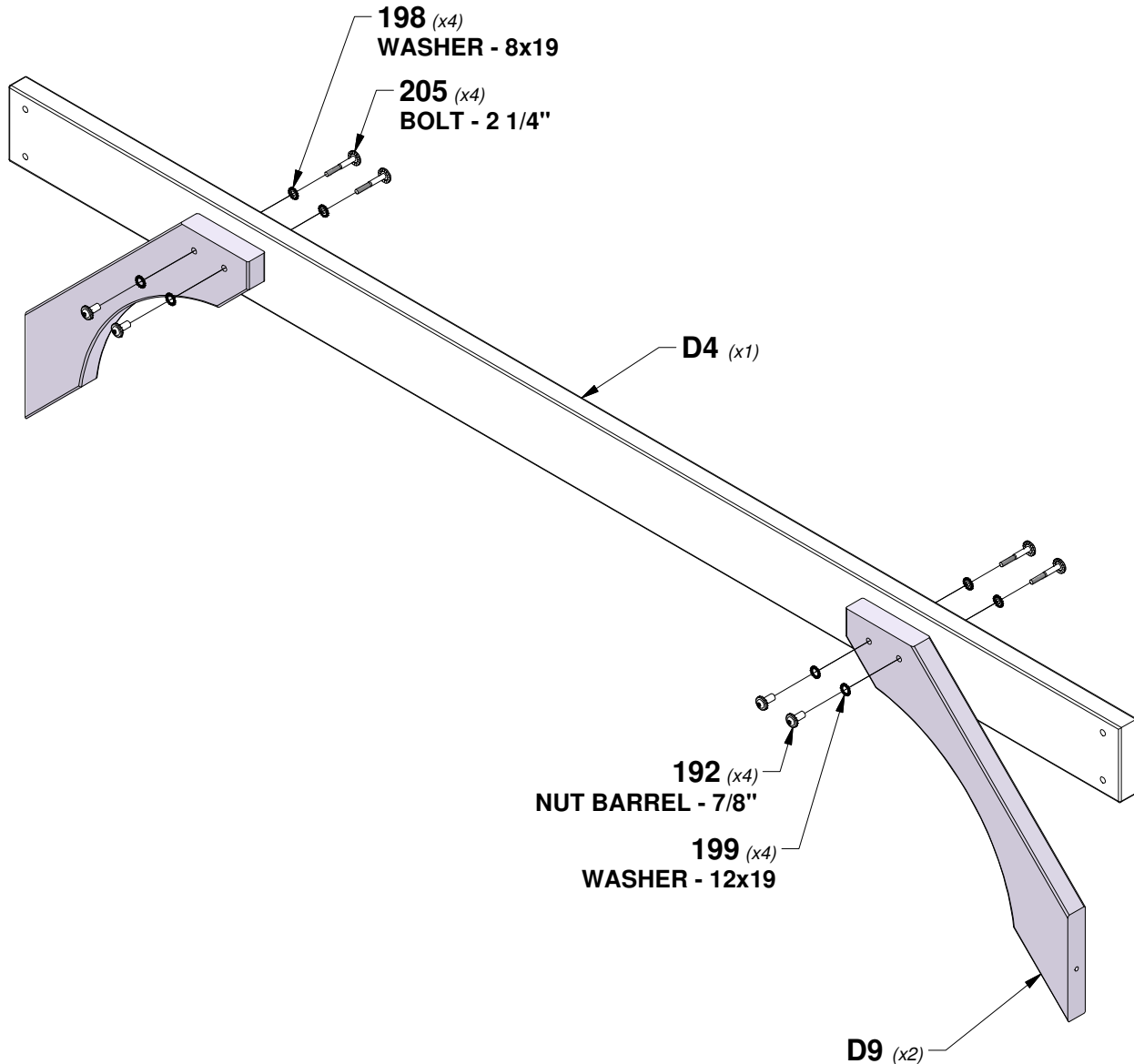
QTY	PART NUMBER	DESCRIPTION
8	H100192	NUT BARREL WH 5/16x7/8 BLK
8	H100198	WASHER LOCK EXT 8x19 BLK
8	H100199	WASHER LOCK EXT 12x19 BLK
8	H100205	BOLT WH 5/16x2-1/4 BLK



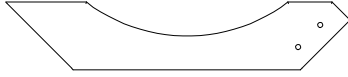
D4 JOIST - W4L04587
 (2) 1 3/8"x5 1/4"x90" (36x134x2286)

REPEAT PROCESS FOR OPPOSITE SIDE.

*****HAND TIGHTEN ONLY AT THIS TIME.*****



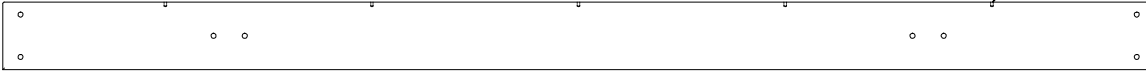
STEP 2 - PERGOLA ASSEMBLY



D9 SHORT ANGLE BRACE - W4L18493
 (4) 1 3/8"x5 1/4"x26 7/8" (36x134x683)

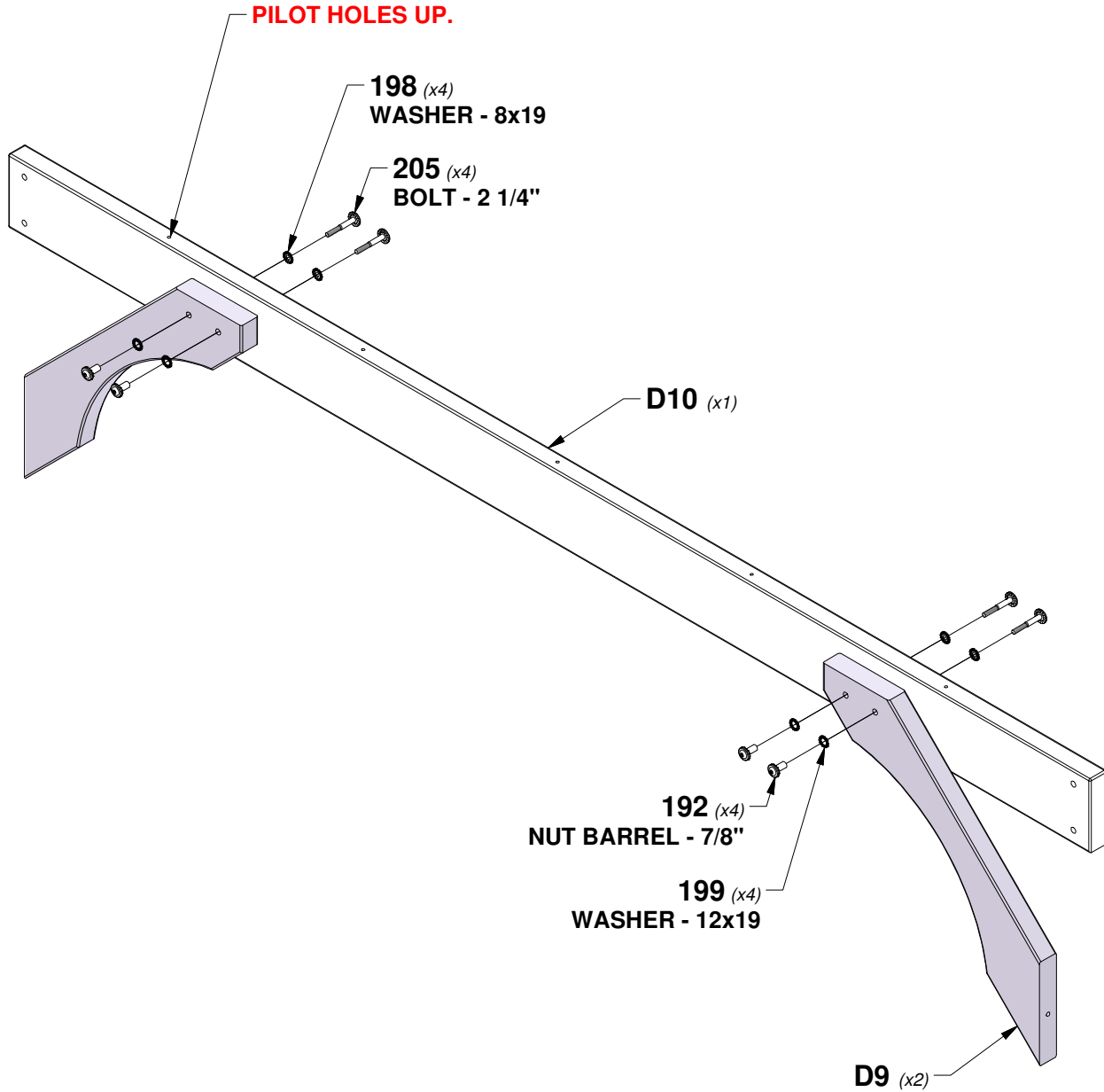
QTY	PART NUMBER	DESCRIPTION
8	H100192	NUT BARREL WH 5/16x7/8 BLK
8	H100198	WASHER LOCK EXT 8x19 BLK
8	H100199	WASHER LOCK EXT 12x19 BLK
8	H100205	BOLT WH 5/16x2-1/4 BLK

PILOT HOLES UP.

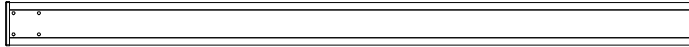


D10 JOIST - W4L05827
 (2) 1 3/8"x5 1/4"x90" (36x134x2286)

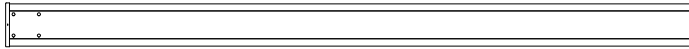
REPEAT PROCESS FOR OPPOSITE SIDE.



STEP 3 - PERGOLA ASSEMBLY



WP1 PERGOLA POST - W4L03775
(x2) 5 1/2"x5 1/2"x89 1/2" (140x140x2273)



WP2 PERGOLA POST - W4L03776
(x2) 5 1/2"x5 1/2"x89 1/2" (140x140x2273)



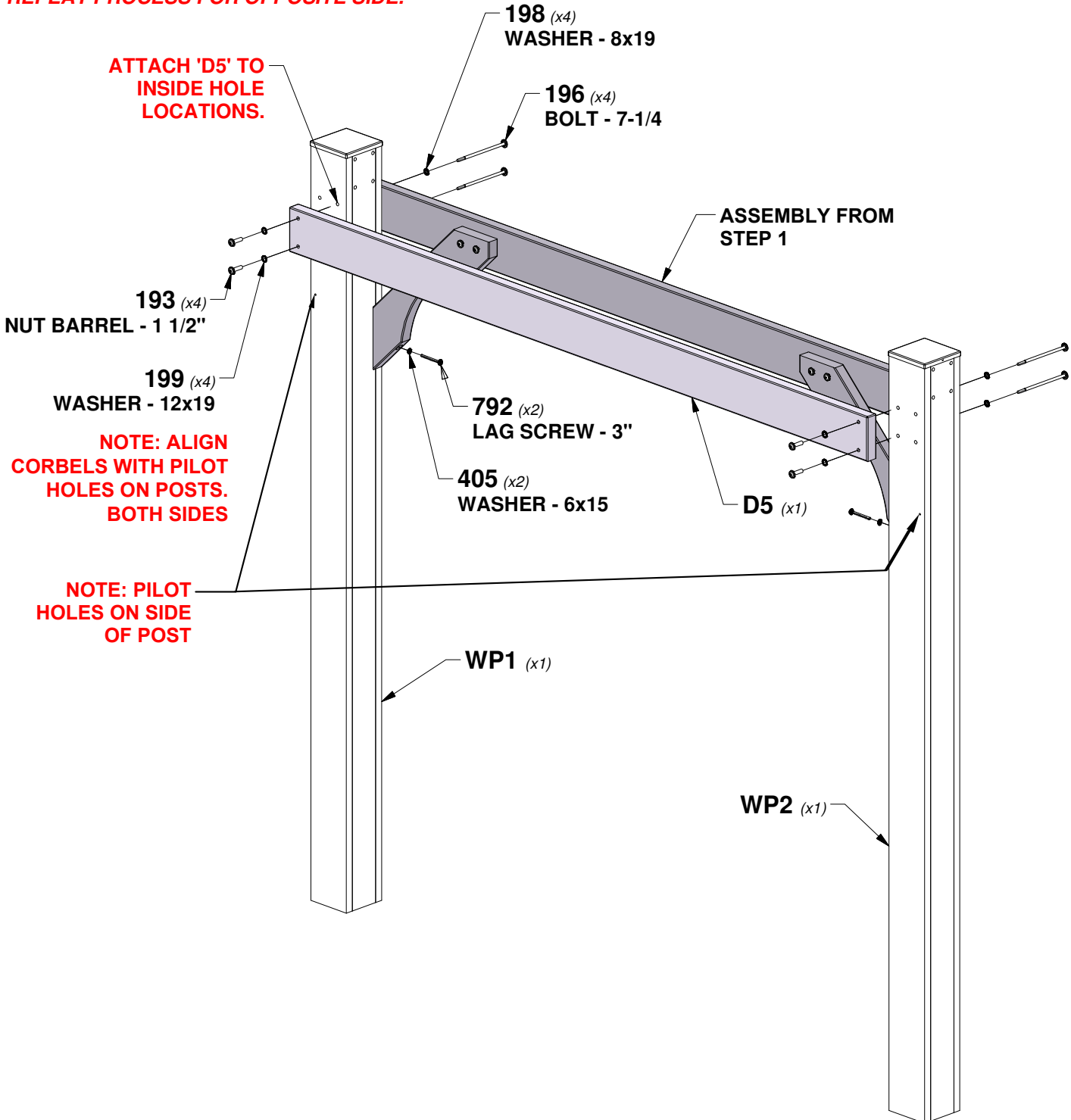
(x2) **90" JOIST - SUPPORT ASSEMBLY**

QTY	PART NUMBER	DESCRIPTION
8	H100193	NUT BARREL WH 5/16x1-1/2 BLK
8	H100196	BOLT WH 5/16x7-1/4 BLK
8	H100198	WASHER LOCK EXT 8x19 BLK
8	H100199	WASHER LOCK EXT 12x19 BLK
4	H100405	WASHER LOCK EXT 6x15 BLK
4	H100792	LAG SCREW WH 1/4x3 BLK



D5 JOIST - W4L04591
(2) 1 3/8"x5 1/4"x90" (36x134x2286)

REPEAT PROCESS FOR OPPOSITE SIDE.



STEP 4 - PERGOLA ASSEMBLY

QTY	PART NUMBER	DESCRIPTION
8	H100193	NUT BARREL WH 5/16x1-1/2 BLK
8	H100196	BOLT WH 5/16x7-1/4 BLK
8	H100198	WASHER LOCK EXT 8x19 BLK
8	H100199	WASHER LOCK EXT 12x19 BLK
4	H100405	WASHER LOCK EXT 6x15 BLK
4	H100792	LAG SCREW WH 1/4x3 BLK



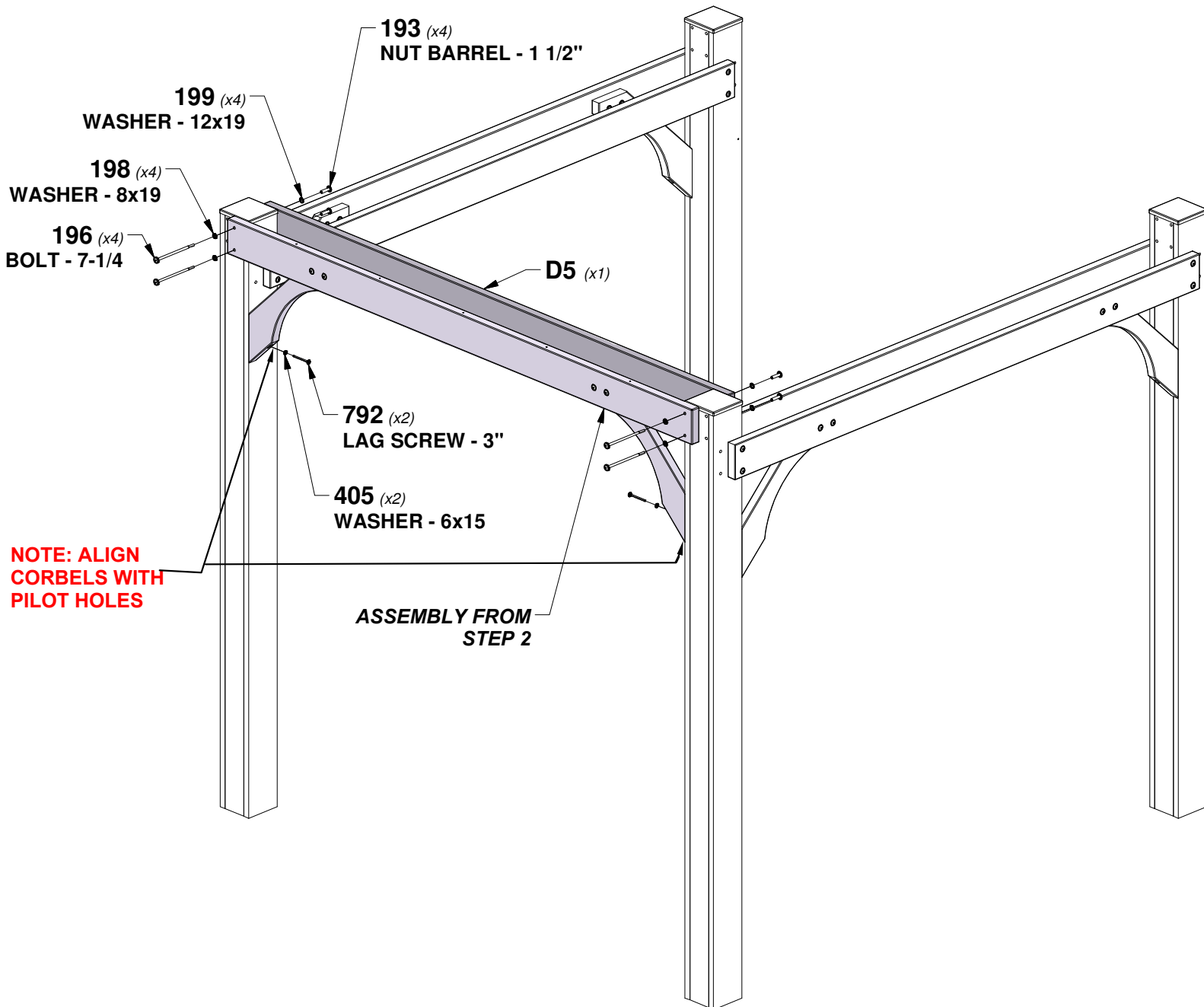
D5 JOIST - W4L04591

(2) 1 3/8"x5 1/4"x90" (36x134x2286)



(x2) **90" JOIST - SUPPORT ASSEMBLY**

REPEAT PROCESS FOR OPPOSITE SIDE.

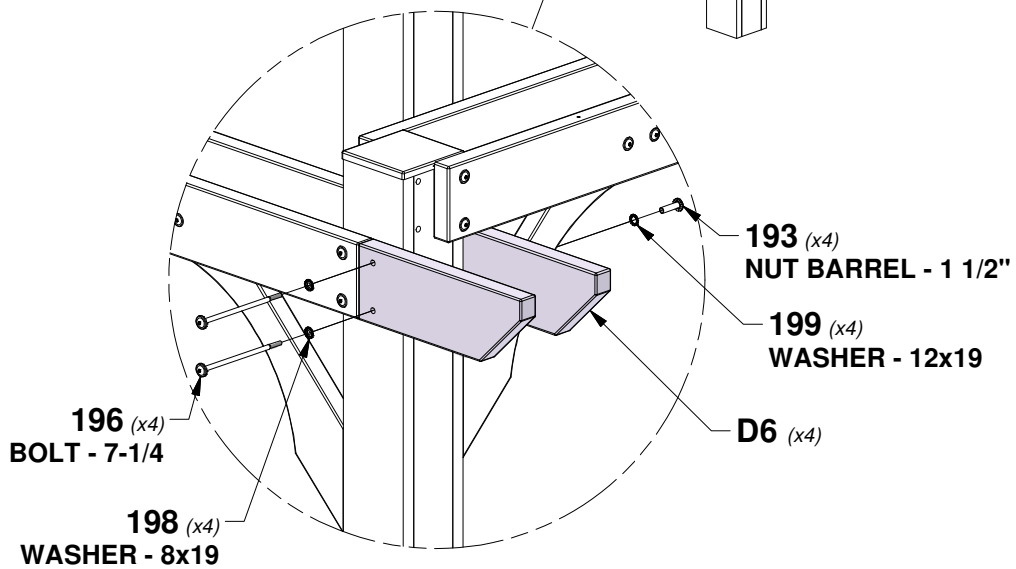
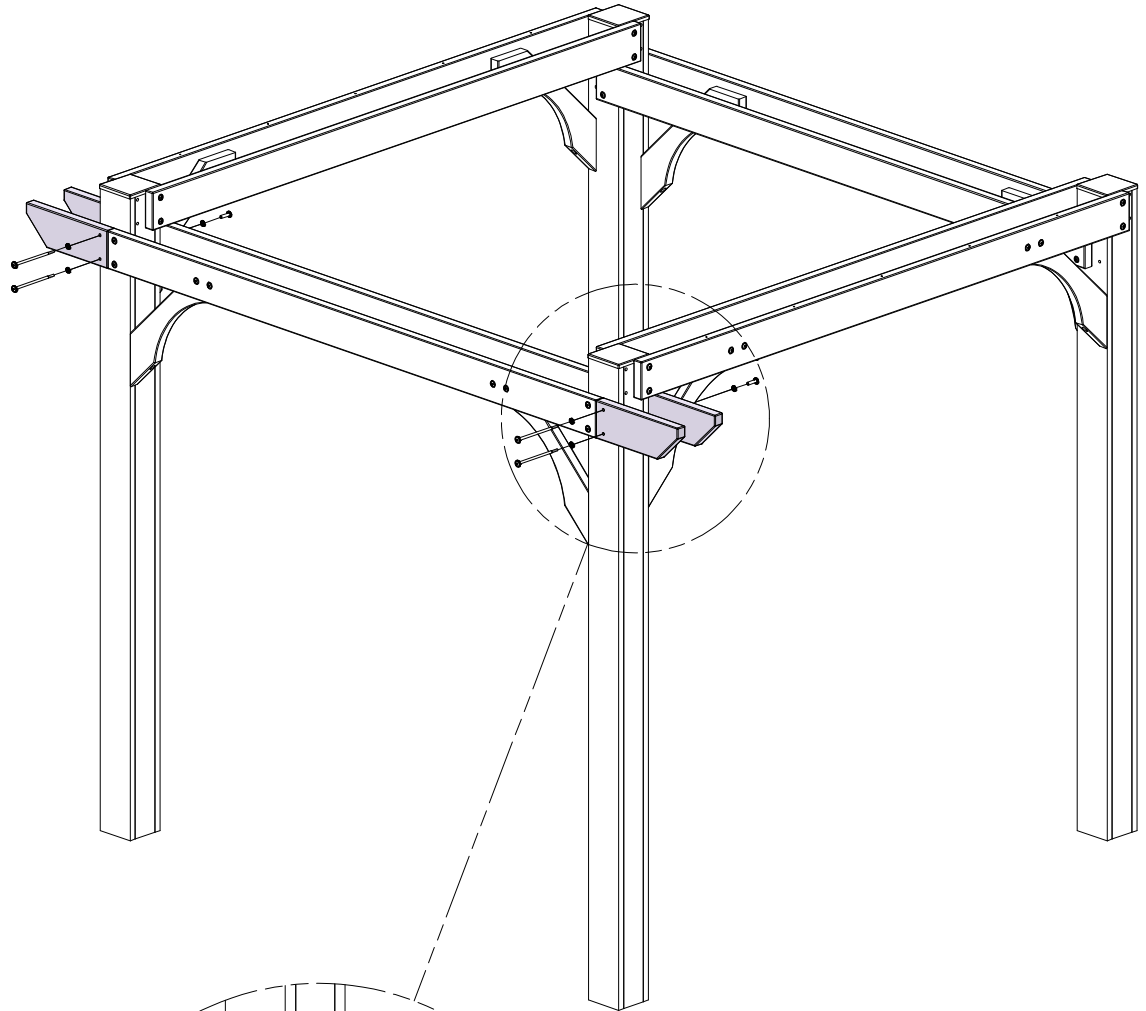


STEP 5 - PERGOLA ASSEMBLY



D6 JOIST END - W4L04588
 (4) 1 3/8"x5 1/4"x15" (36x134x381)

QTY	PART NUMBER	DESCRIPTION
4	H100193	NUT BARREL WH 5/16x1-1/2 BLK
4	H100196	BOLT WH 5/16x7-1/4 BLK
4	H100198	WASHER LOCK EXT 8x19 BLK
4	H100199	WASHER LOCK EXT 12x19 BLK



STEP 6 - PERGOLA ASSEMBLY

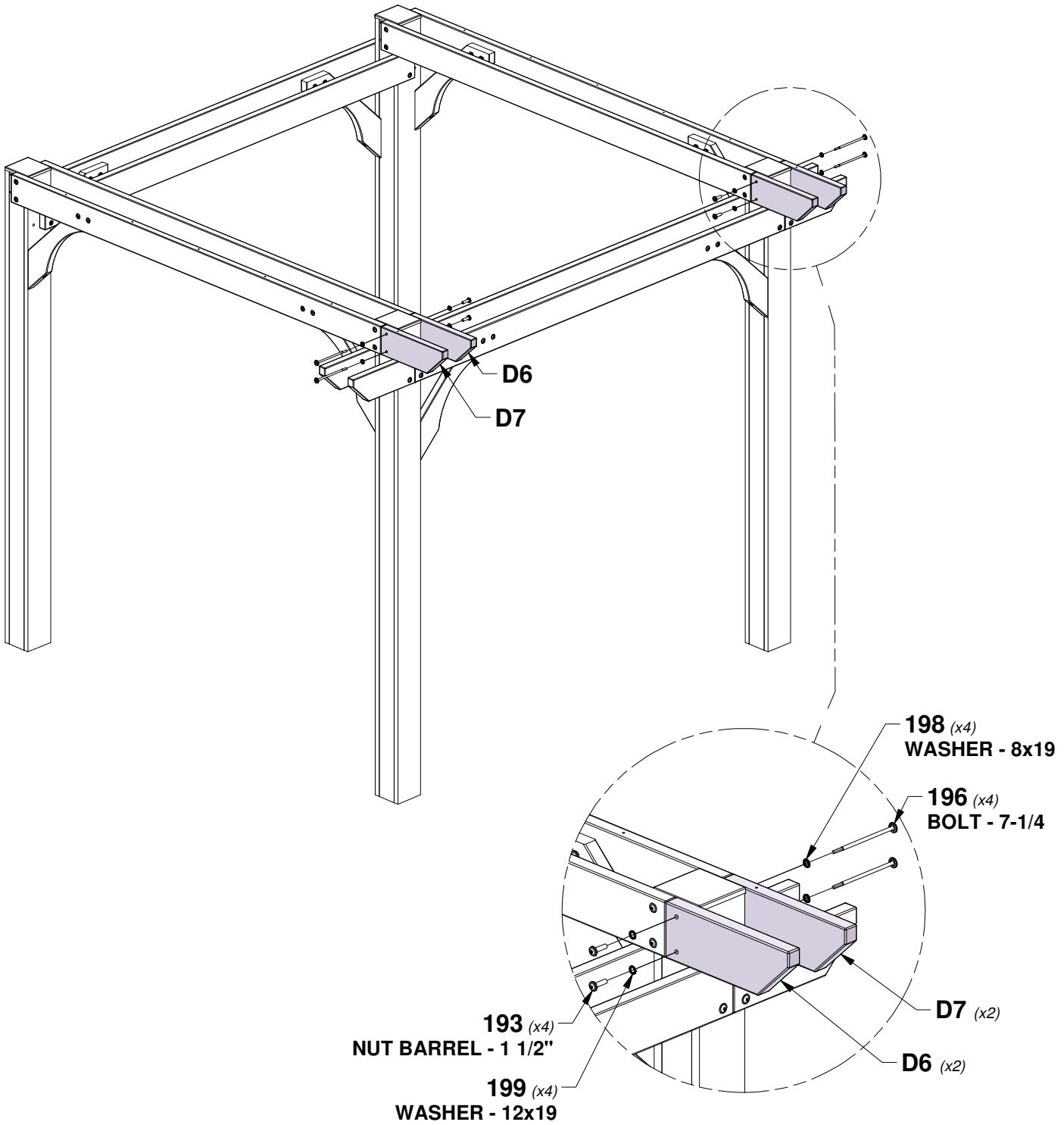
QTY	PART NUMBER	DESCRIPTION
4	H100193	NUT BARREL WH 5/16x1-1/2 BLK
4	H100196	BOLT WH 5/16x7-1/4 BLK
4	H100198	WASHER LOCK EXT 8x19 BLK
4	H100199	WASHER LOCK EXT 12x19 BLK



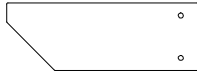
D6 JOIST END - W4L04588
 (2) 1 3/8"x5 1/4"x15" (36x134x381)



D7 JOIST END - W4L04592
 (2) 1 3/8"x5 1/4"x15" (36x134x381)

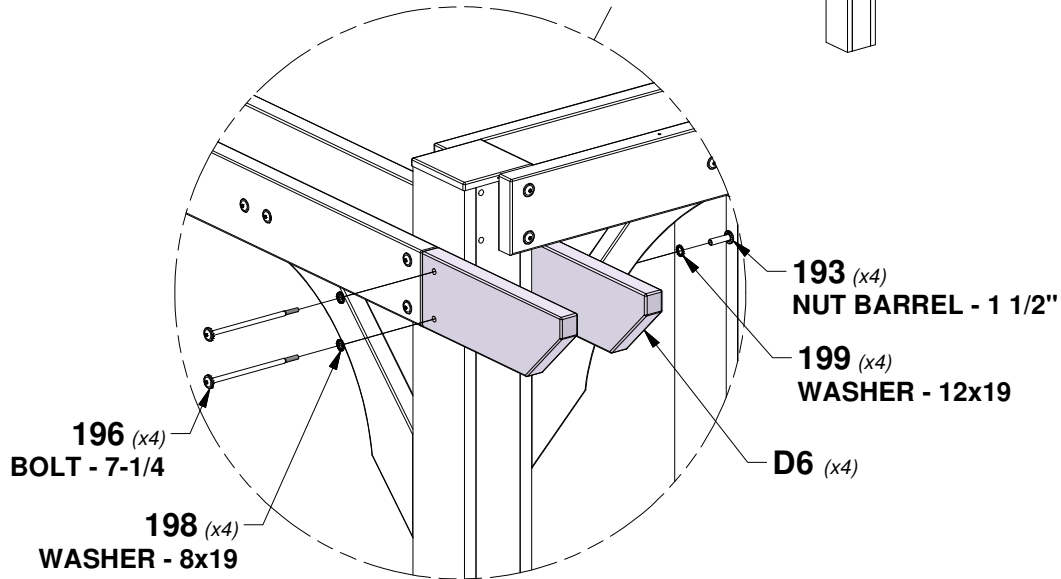
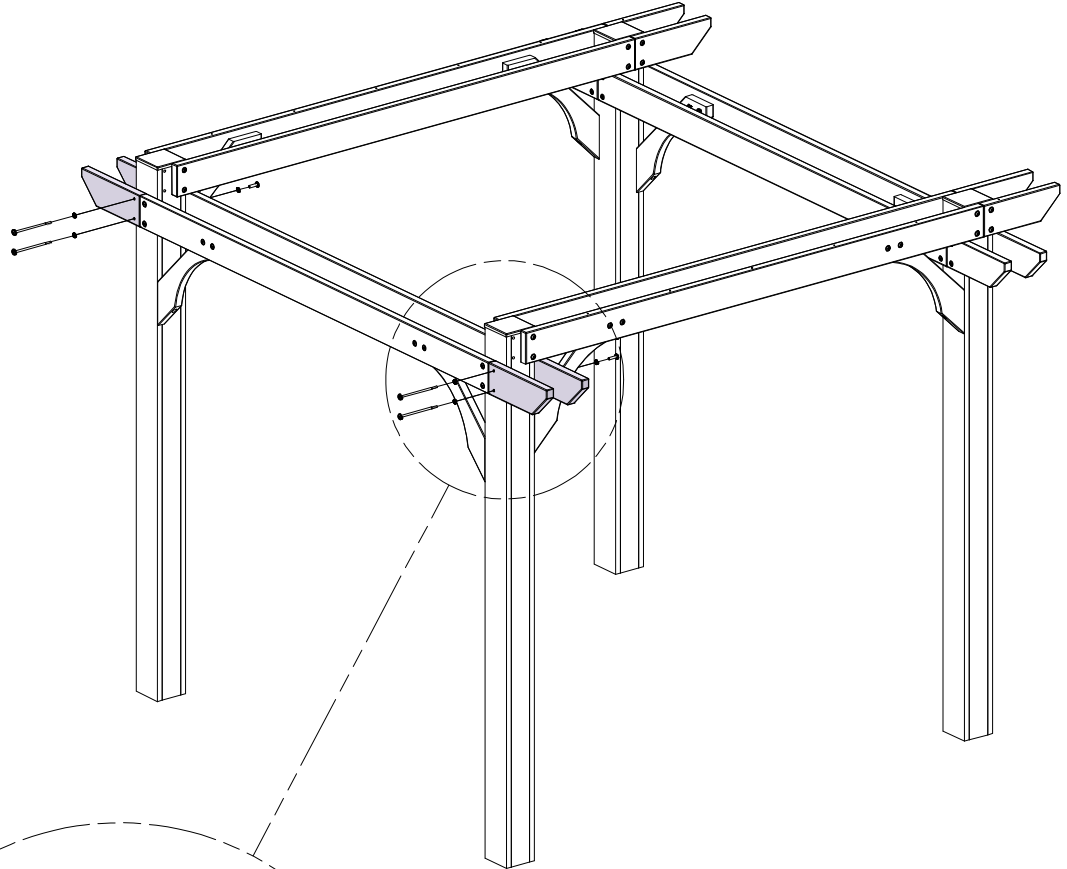


STEP 7 - PERGOLA ASSEMBLY



D6 JOIST END - W4L04588
 (4) 1 3/8"x5 1/4"x15" (36x134x381)

QTY	PART NUMBER	DESCRIPTION
4	H100193	NUT BARREL WH 5/16x1-1/2 BLK
4	H100196	BOLT WH 5/16x7-1/4 BLK
4	H100198	WASHER LOCK EXT 8x19 BLK
4	H100199	WASHER LOCK EXT 12x19 BLK



STEP 8 - PERGOLA ASSEMBLY

QTY	PART NUMBER	DESCRIPTION
4	H100193	NUT BARREL WH 5/16x1-1/2 BLK
4	H100196	BOLT WH 5/16x7-1/4 BLK
4	H100198	WASHER LOCK EXT 8x19 BLK
4	H100199	WASHER LOCK EXT 12x19 BLK



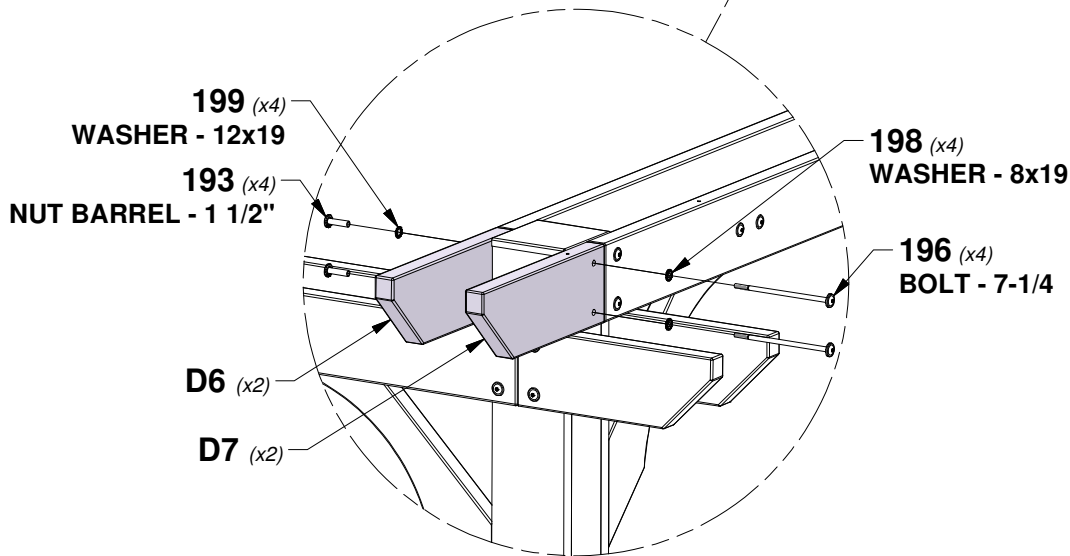
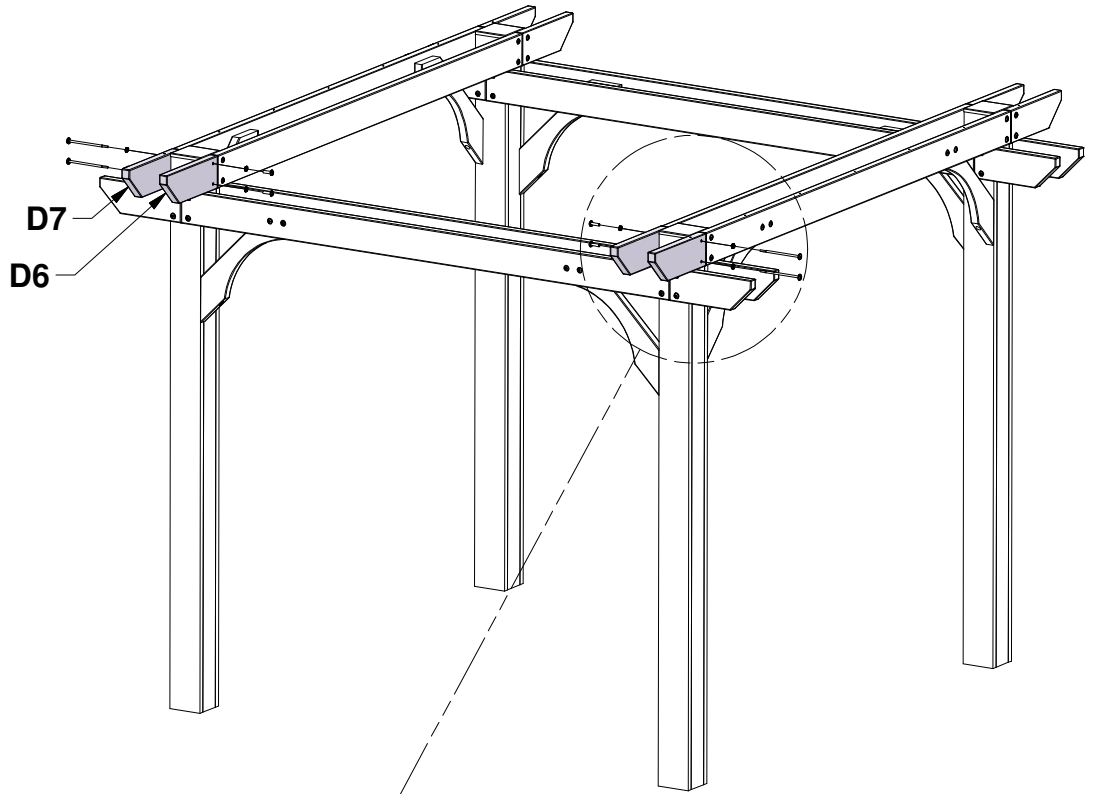
D6 JOIST END - W4L04588

(2) 1 3/8"x5 1/4"x15" (36x134x381)



D7 JOIST END - W4L04592

(2) 1 3/8"x5 1/4"x15" (36x134x381)



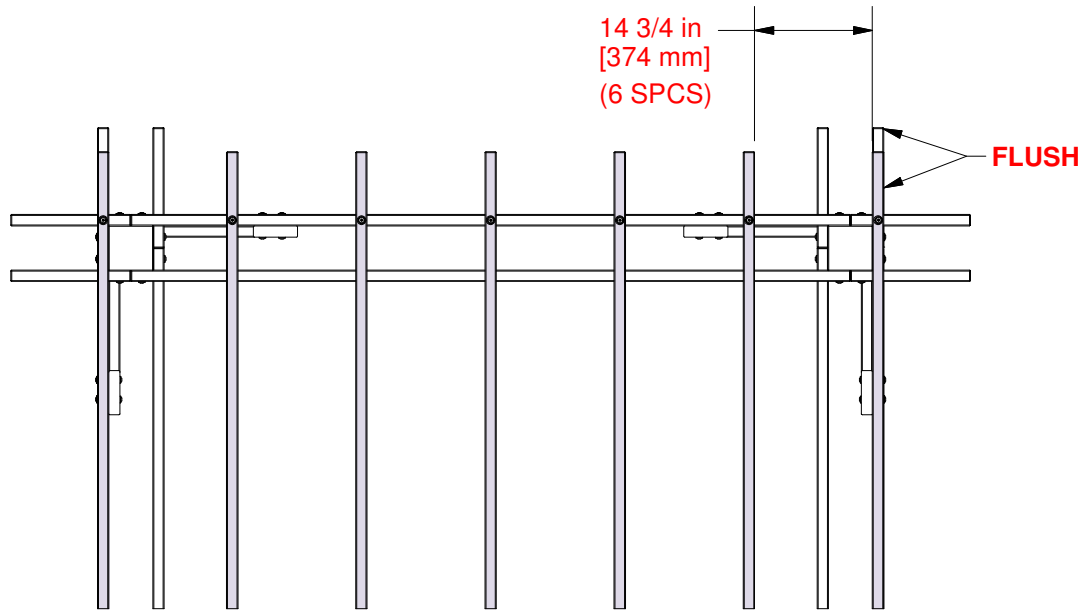
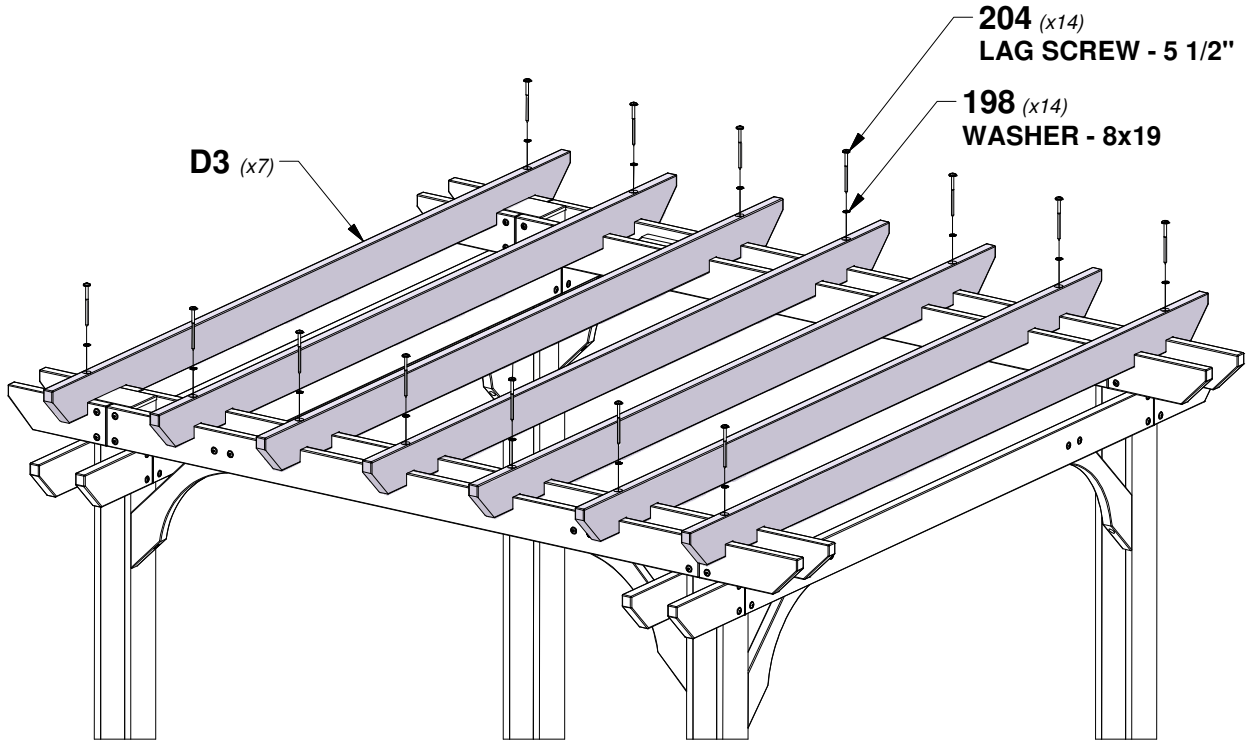
STEP 9 - PERGOLA ASSEMBLY

QTY	PART NUMBER	DESCRIPTION
14	H100198	WASHER LOCK EXT 8x19 BLK
14	H100204	LAG SCREW WH 5/16x5-1/2 BLK



D3 SLOTTED JOIST - W4L04586
 (7) 1 3/8"x5 1/4"x114" (36x134x2896)

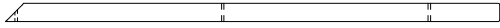
ALIGN COUNTER BORED HOLES IN SLOTTED JOISTS WITH PRE-DRILLED HOLES IN BOTTOM JOISTS AND ENDS.



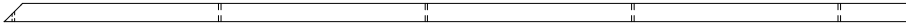
JOIST SPACING

STEP 10 - PERGOLA ASSEMBLY

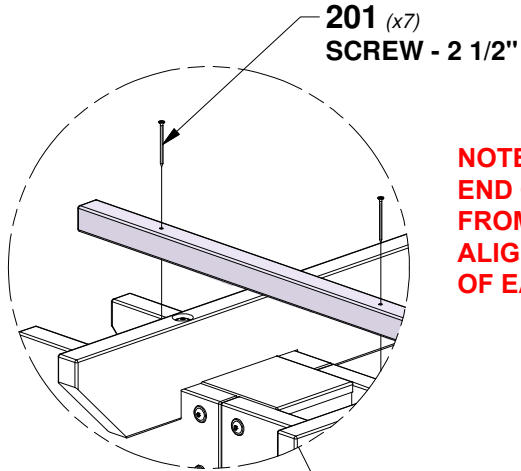
QTY	PART NUMBER	DESCRIPTION
7	H100201	SCREW PFH 8x2-1/2 BLK



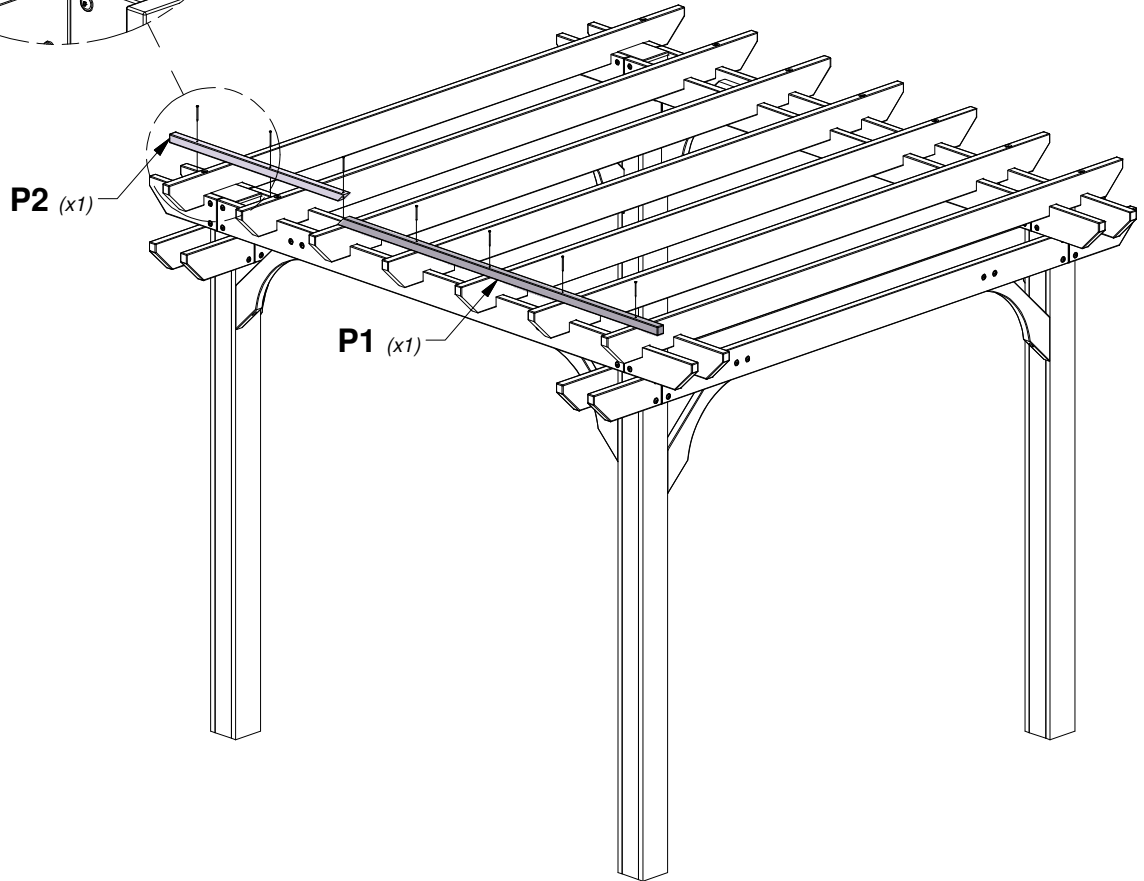
P2 SHORT PURLIN - W4L05477
 (1) 1 3/8"x1 3/8"x38 5/8" (36x36x981)



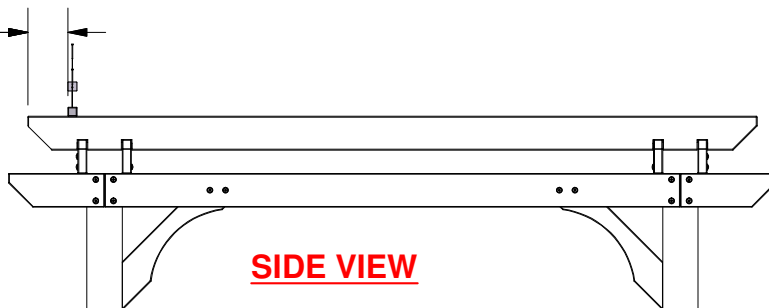
P1 LONG PURLIN - W4L05476
 (1) 1 3/8"x1 3/8"x70 3/4" (36x36x1798)



NOTE:
END OF PURLIN IS 4 3/4" [122 mm]
FROM EDGE OF D3 SLOTTED JOIST.
ALIGN HOLES IN PURLIN TO CENTER
OF EACH JOIST.



6 1/4 in
[159 mm]

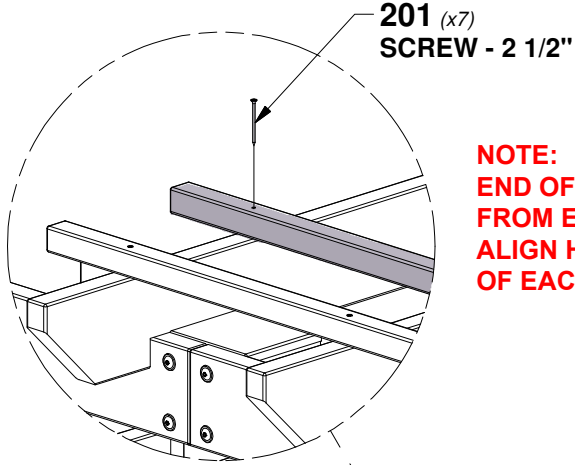


STEP 11 - PERGOLA ASSEMBLY

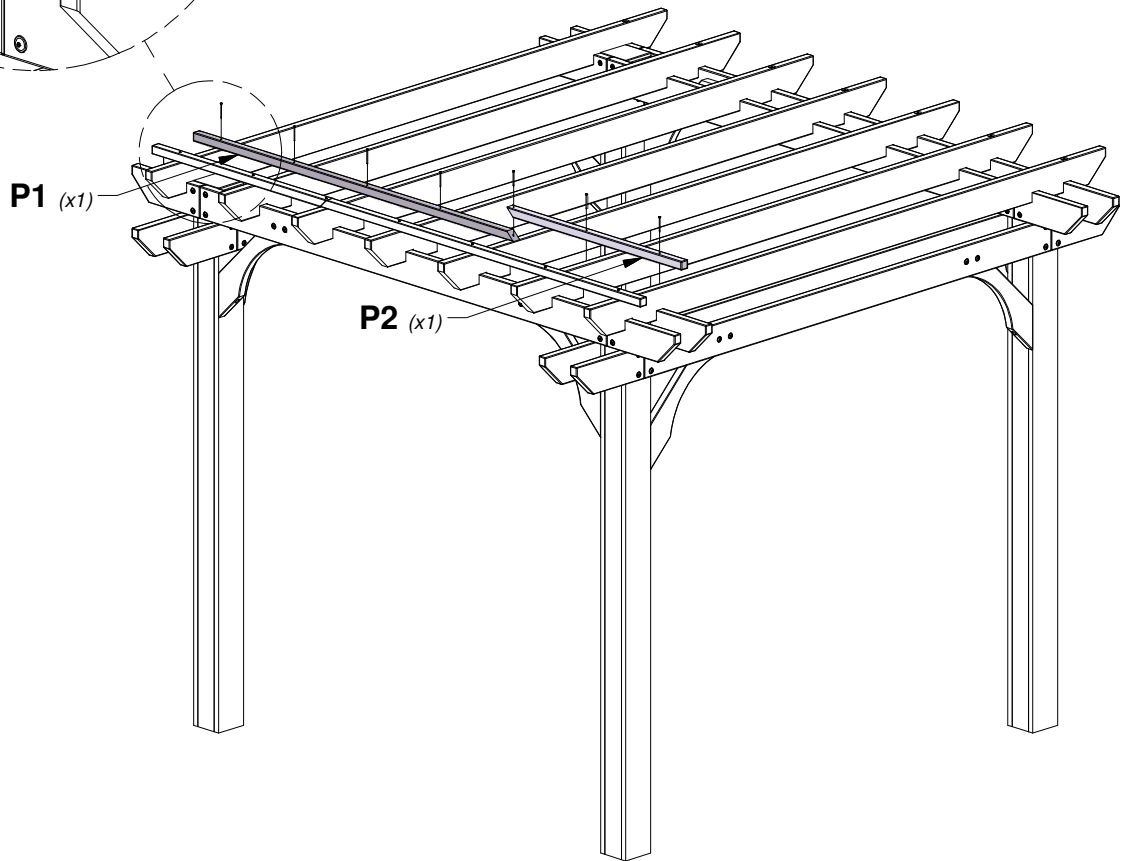
QTY	PART NUMBER	DESCRIPTION
7	H100201	SCREW PFH 8x2-1/2 BLK

P2 SHORT PURLIN - W4L05477
 (1) 1 3/8"x1 3/8"x38 5/8" (36x36x981)

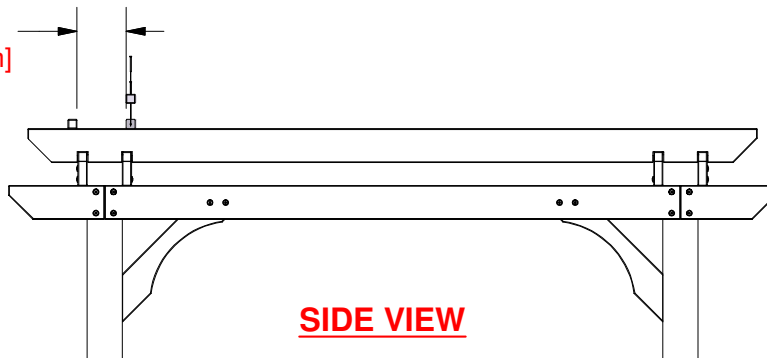
P1 LONG PURLIN - W4L05476
 (1) 1 3/8"x1 3/8"x70 3/4" (36x36x1798)



NOTE:
 END OF PURLIN IS 4 3/4" [122 mm]
 FROM EDGE OF D3 SLOTTED JOIST.
 ALIGN HOLES IN PURLIN TO CENTER
 OF EACH JOIST.



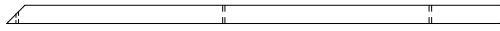
7 5/8 in
 [195 mm]



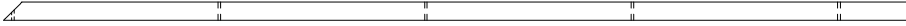
SIDE VIEW

STEP 12 - PERGOLA ASSEMBLY

QTY	PART NUMBER	DESCRIPTION
70	H100201	SCREW PFH 8x2-1/2 BLK



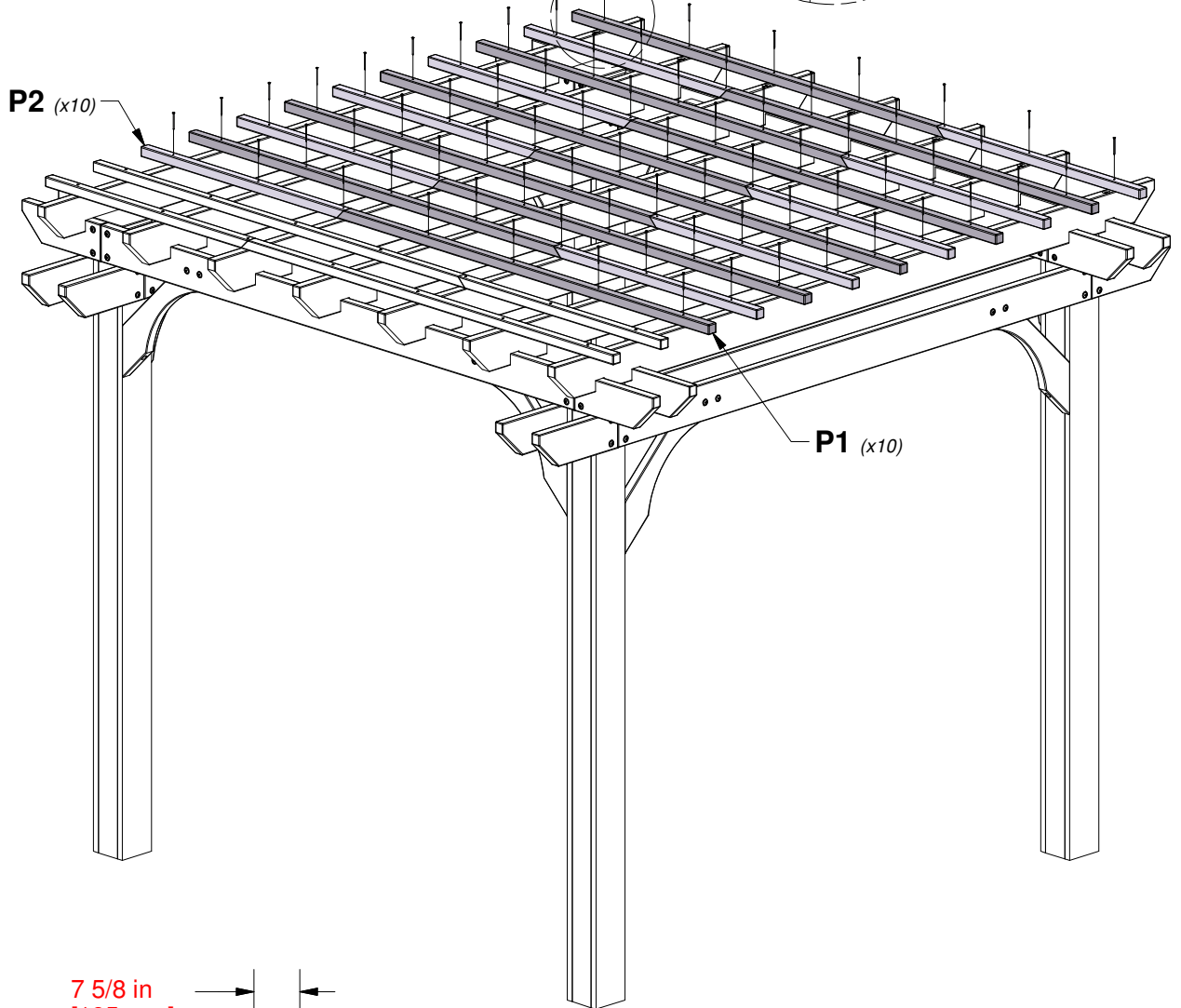
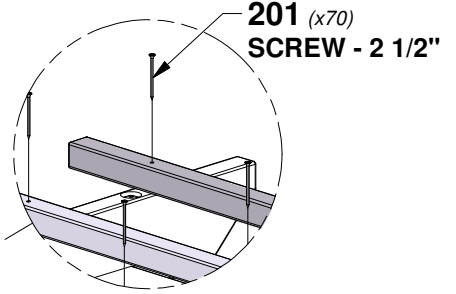
P2 SHORT PURLIN - W4L05477
 (10) 1 3/8"x1 3/8"x38 5/8" (36x36x981)



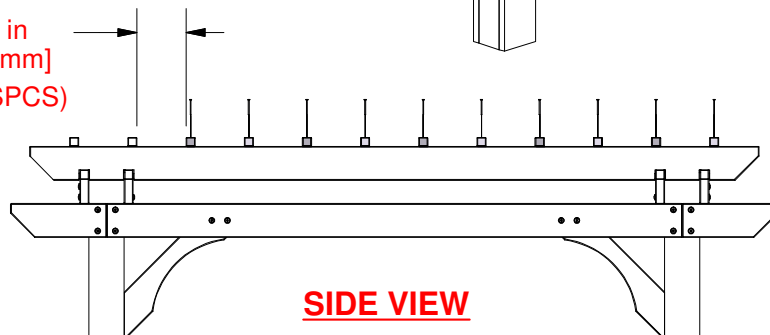
P1 LONG PURLIN - W4L05476
 (10) 1 3/8"x1 3/8"x70 3/4" (36x36x1798)

**ASSEMBLE REMAINING P1 AND P2 PURLINS
 ALTERNATING LOCATIONS AS SHOWN IN STEPS
 10 AND 11.**

NOTE:
 END OF PURLIN IS 4 3/4" [122 mm]
 FROM EDGE OF D3 SLOTTED JOIST.
 ALIGN HOLES IN PURLIN TO CENTER
 OF EACH JOIST.

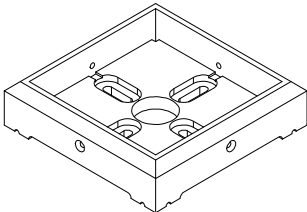


7 5/8 in
 [195 mm]
 (10 SPCS)



SIDE VIEW

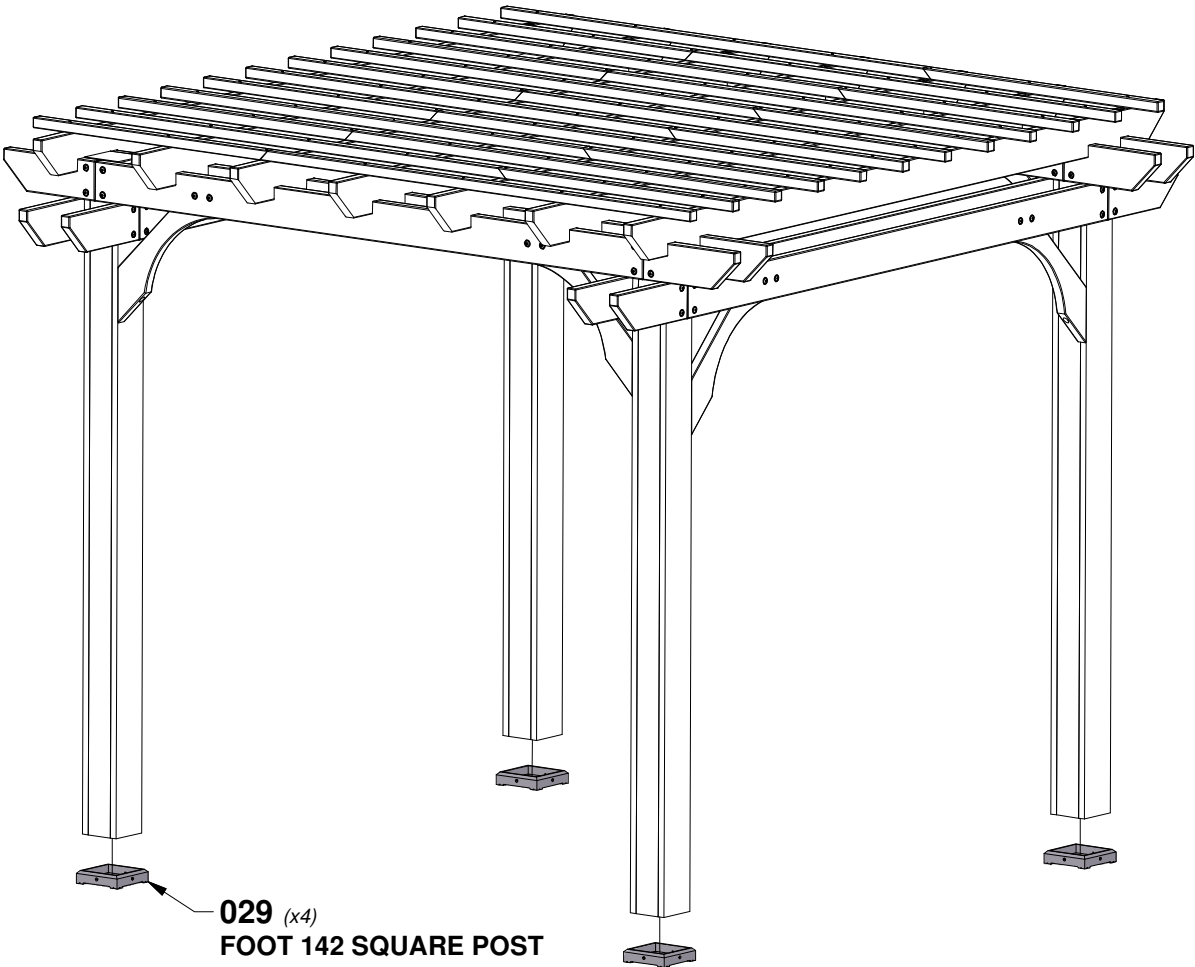
STEP 13 - PERGOLA ASSEMBLY



A100029
(x4) **FOOT 142 SQUARE POST**

DECIDE WHERE TO PLACE THE PERGOLA; GRASS, CONCRETE OR OTHER MATERIAL. PLACE THE PERGOLA EXACTLY WHERE IT WILL BE ANCHORED WHEN COMPLETED AND SLIDE A FOOT 'HT' UNDER EACH POST 'WP1'.

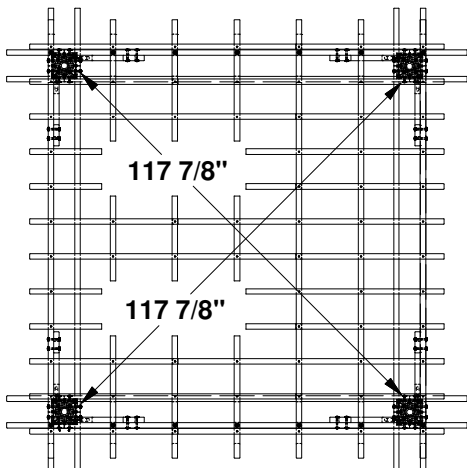
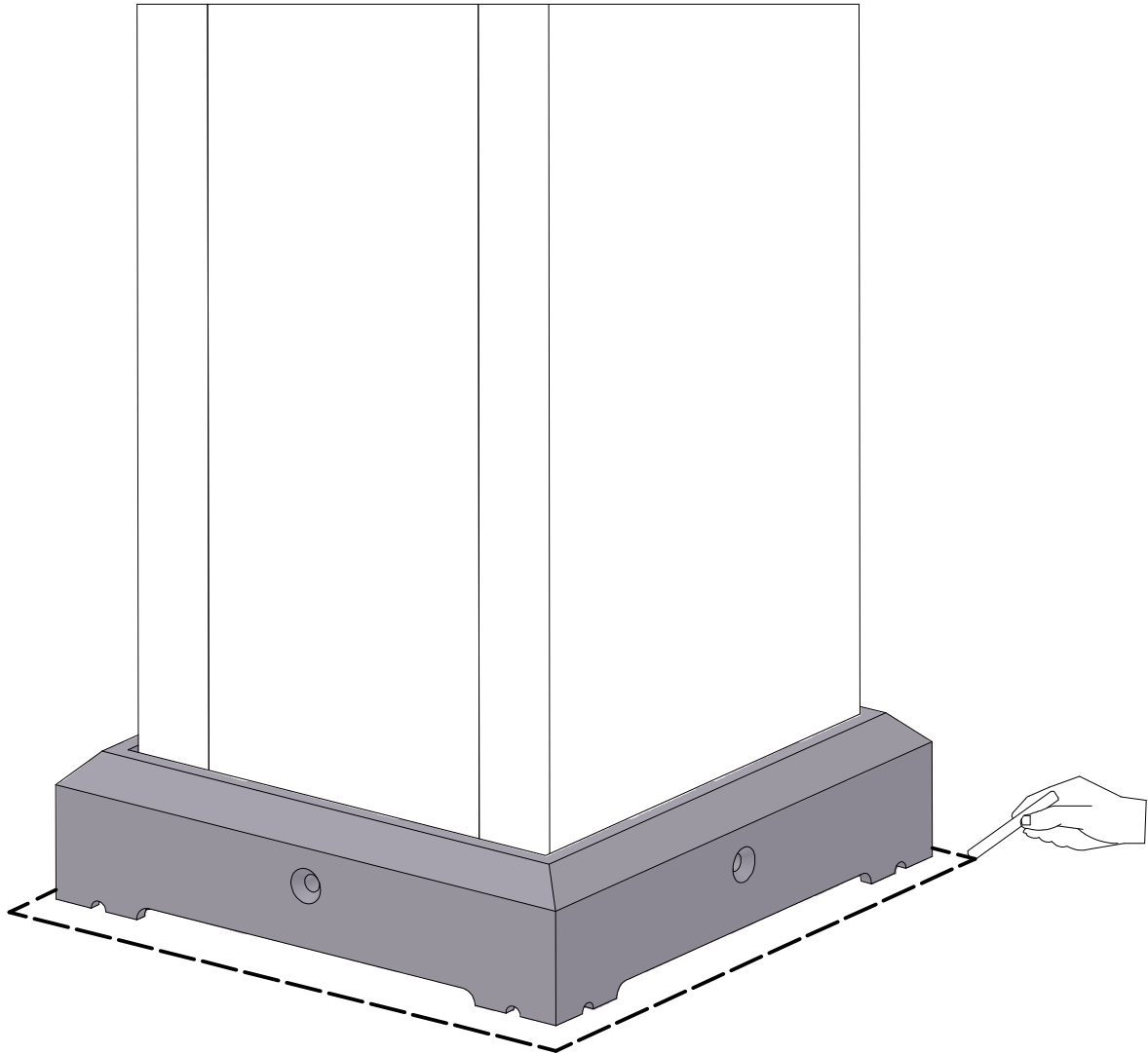
NOTE:
IF NOT PLACING ON CONCRETE, PROCEED TO STEP 17.



029 (x4)
FOOT 142 SQUARE POST

STEP 14 - PERGOLA ASSEMBLY

USE CHALK TO TRACE AROUND THE EDGES OF EACH FOOT.



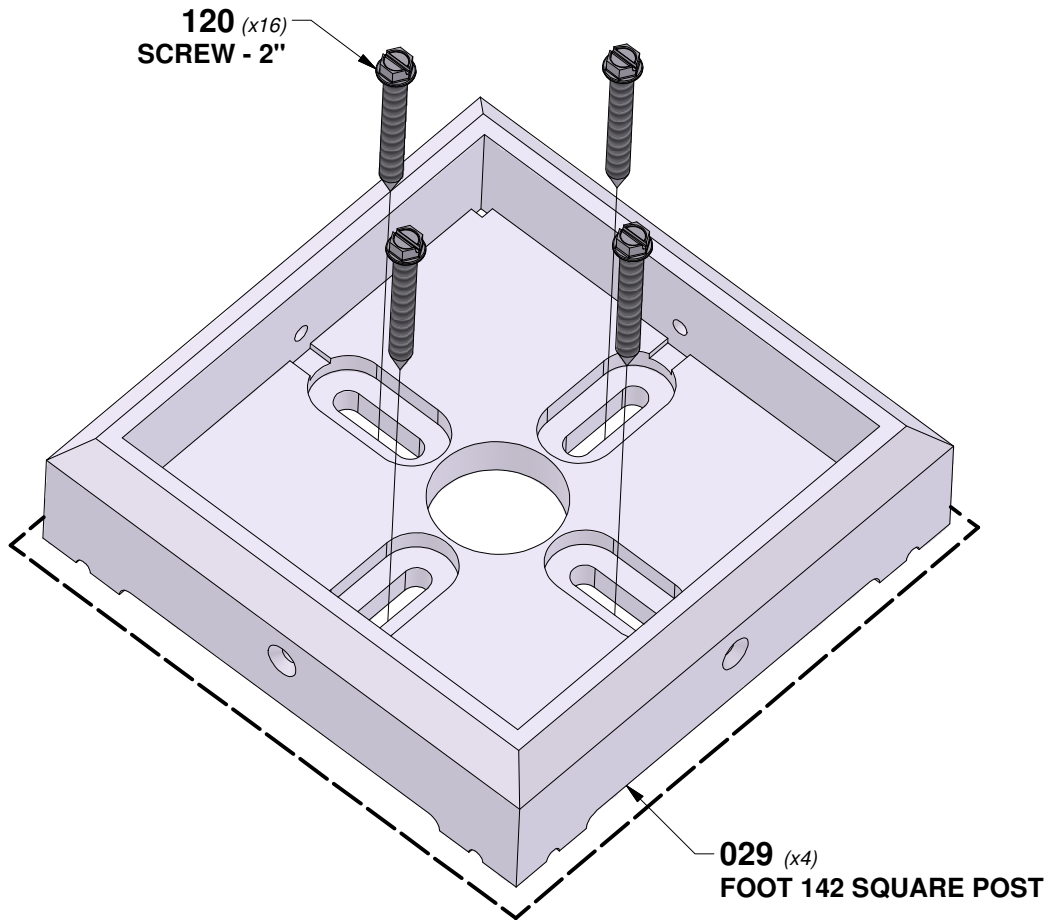
SQUARE POSTS AND TIGHTEN ALL BOLTS AND SCREWS AT THIS TIME.

STEP 15 - PERGOLA ASSEMBLY

QTY	PART NUMBER	DESCRIPTION
16	H100120	CONCRETE ANCHOR 1/4x2

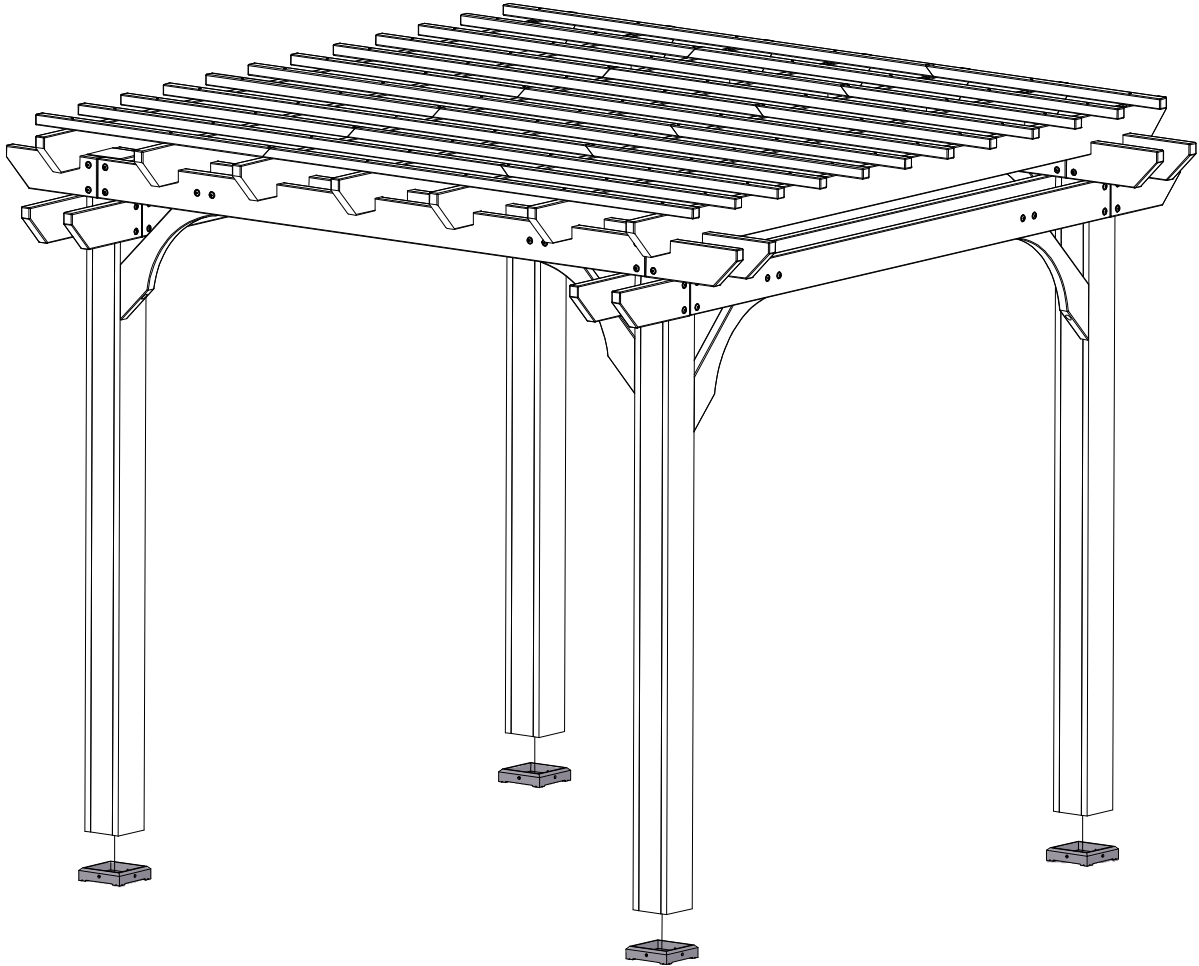
MOVE THE PERGOLA ASIDE. PLACE EACH FOOT INSIDE OF THE LINES DRAWN IN STEP 14. USING A 3/16" CONCRETE DRILL BIT, PILOT DRILL ATTACHMENT HOLES INTO THE CONCRETE PAD.

NEXT, USE THE 1/4"x2" CONCRETE ANCHORS TO ATTACH EACH FOOT TO THE CONCRETE SURFACE.



STEP 16 - PERGOLA ASSEMBLY

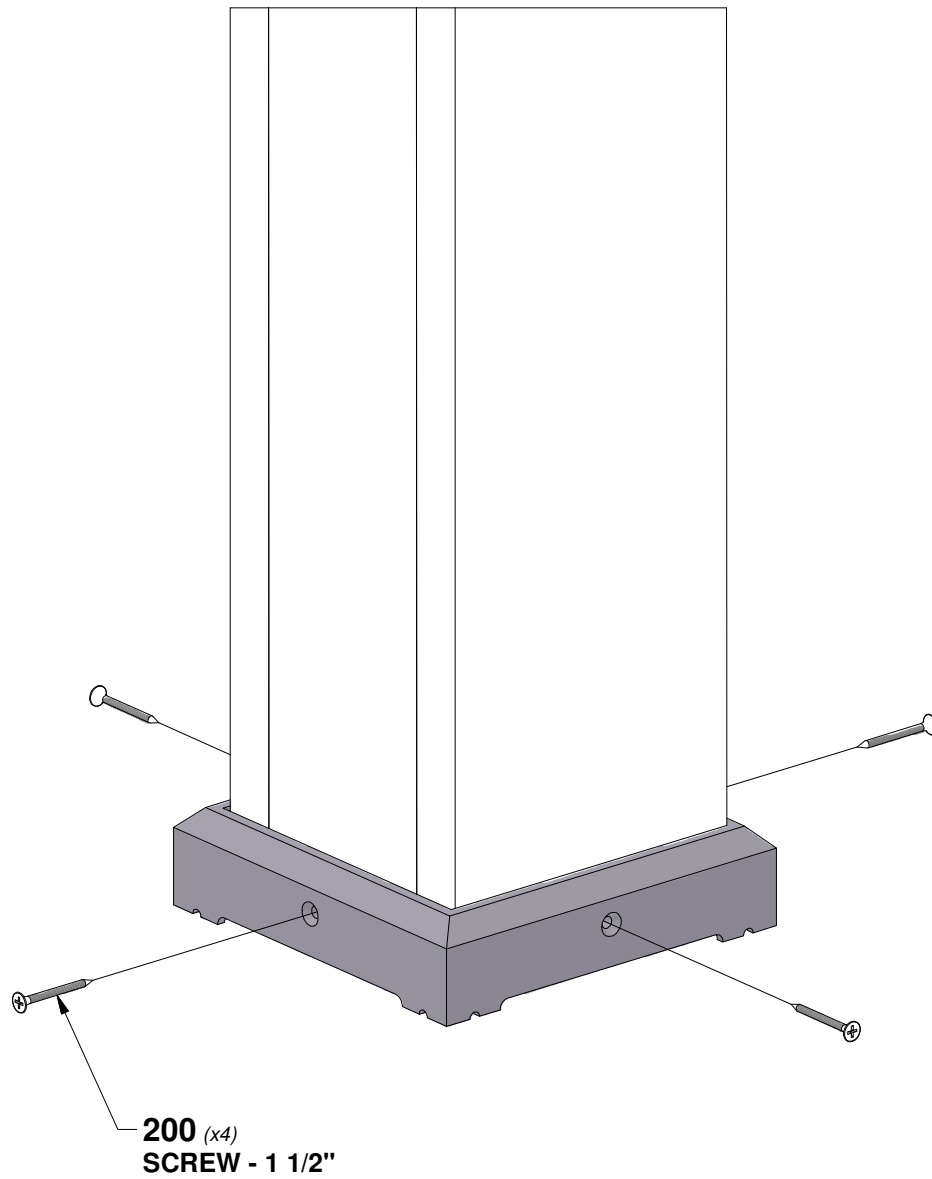
SET THE PERGOLA BACK IN PLACE, SETTING EACH POST 'WP1' INSIDE AN FOOT.



STEP 17 - PERGOLA ASSEMBLY

QTY	PART NUMBER	DESCRIPTION
16	H100200	SCREW PFH 8x1-1/2 BLK

ATTACH FEET TO EACH 'WP1' POST USING 1-1/2" SCREWS INTO EACH SIDE OF FOOT, AS SHOWN.



STEP 18 - PERGOLA ASSEMBLY

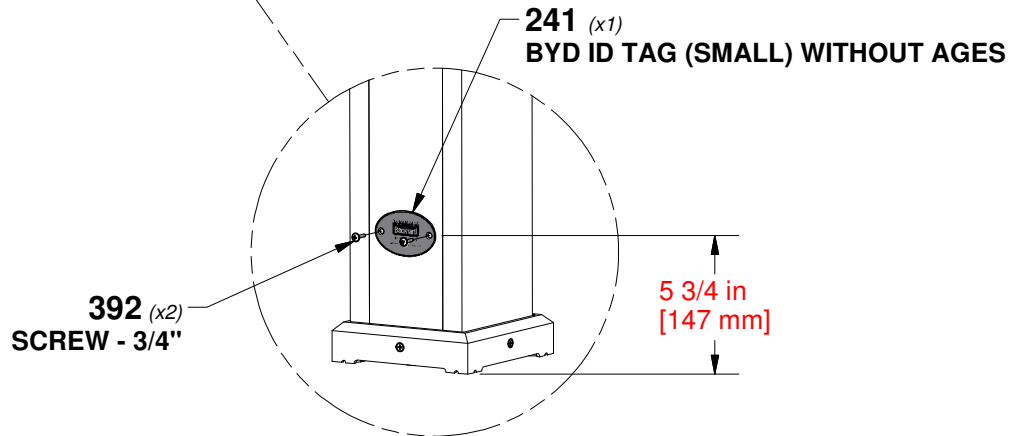
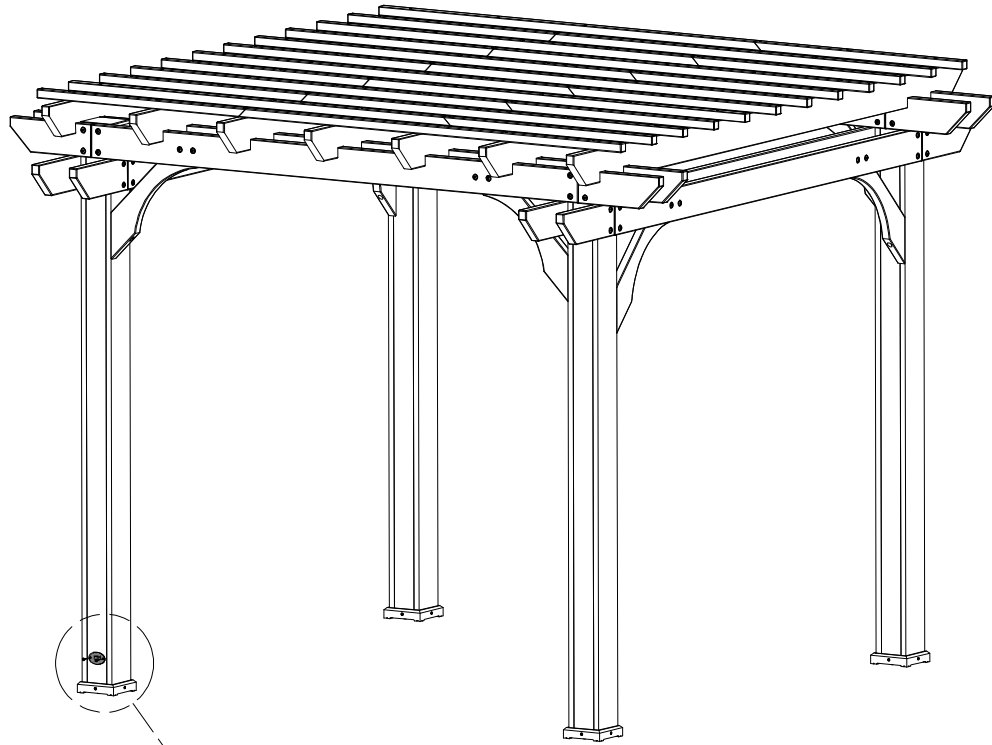


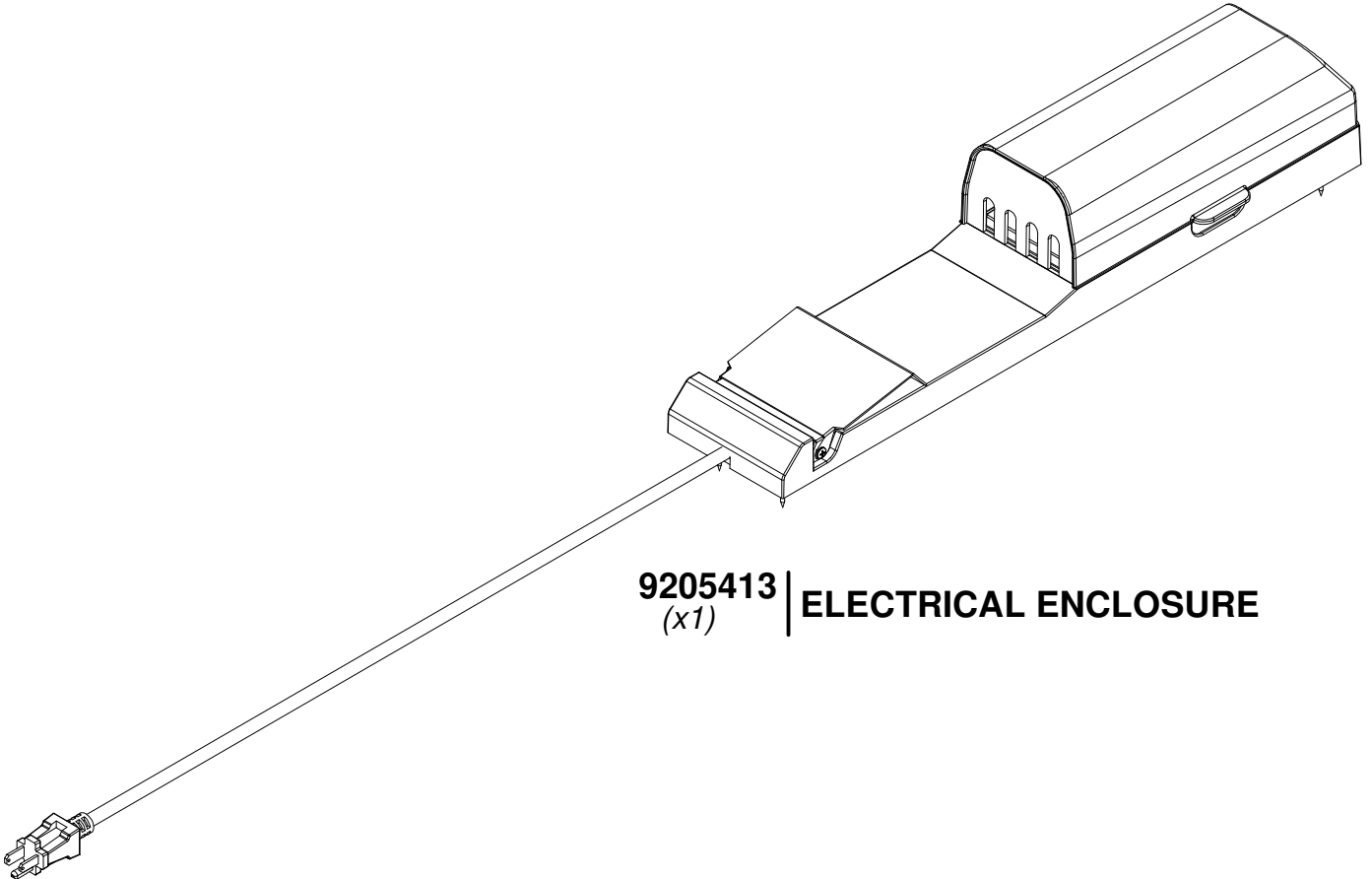
QTY	PART NUMBER	DESCRIPTION
2	H100392	SCREW PWH 8x3/4 BLK

A100241
(x1) **BYD ID TAG (SMALL) WITHOUT AGES**

PLACE I.D. PLACARD ON FRONT OF POST APPROXIMATELY AS SHOWN.

SQUARE POSTS AND TIGHTEN ALL BOLTS AND SCREWS AT THIS TIME.





9205413 | **ELECTRICAL ENCLOSURE**
(x1)

FOR POWERPORT INSTALLATION REFER TO ASSEMBLY INSTRUCTIONS THAT COME PACKAGED WITH THE POWERPORT KIT. INSTALL ON ANY POST THAT IS DESIRED. FOLLOW DIRECTIONS FOR PROPER INSTALLATION.